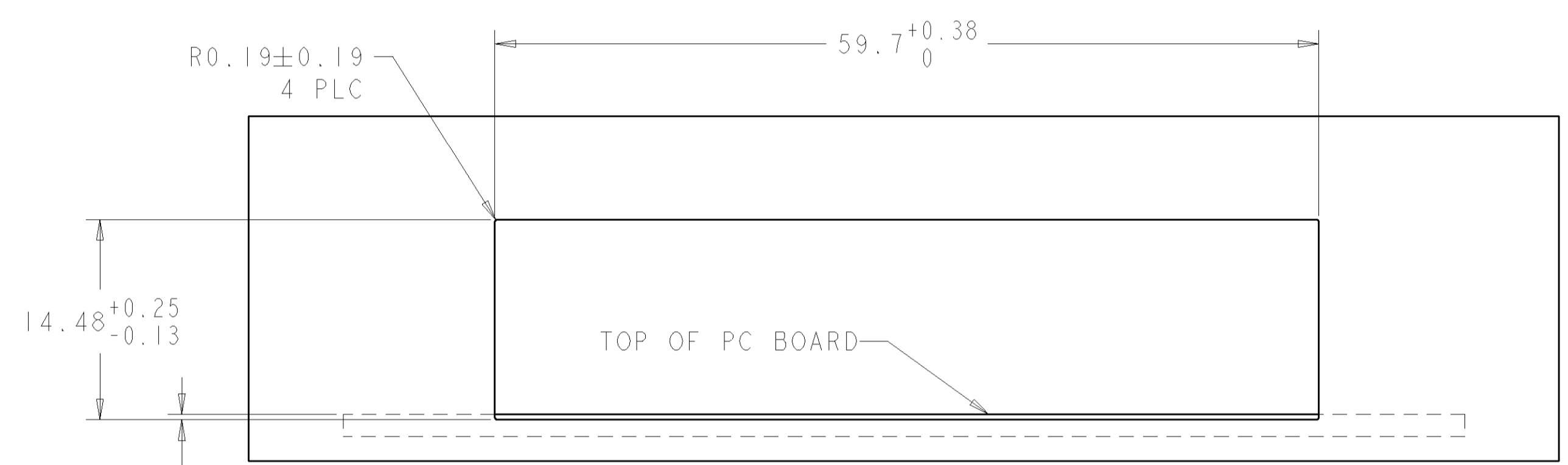
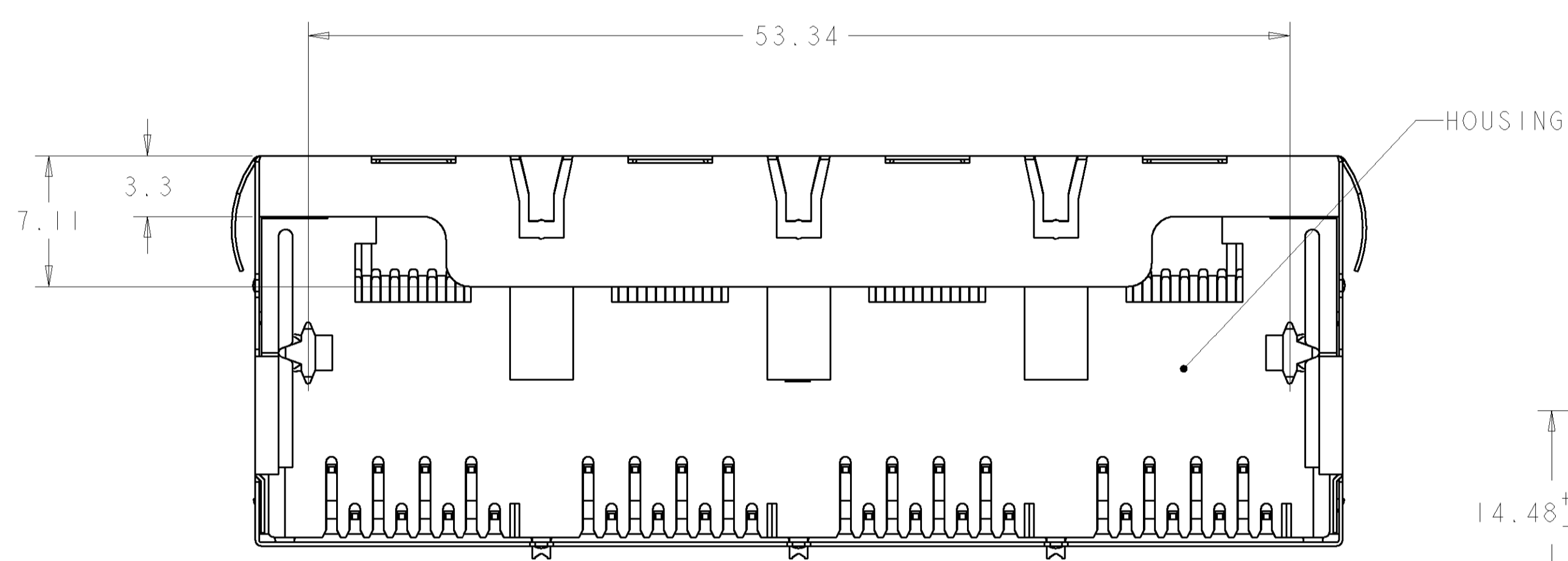
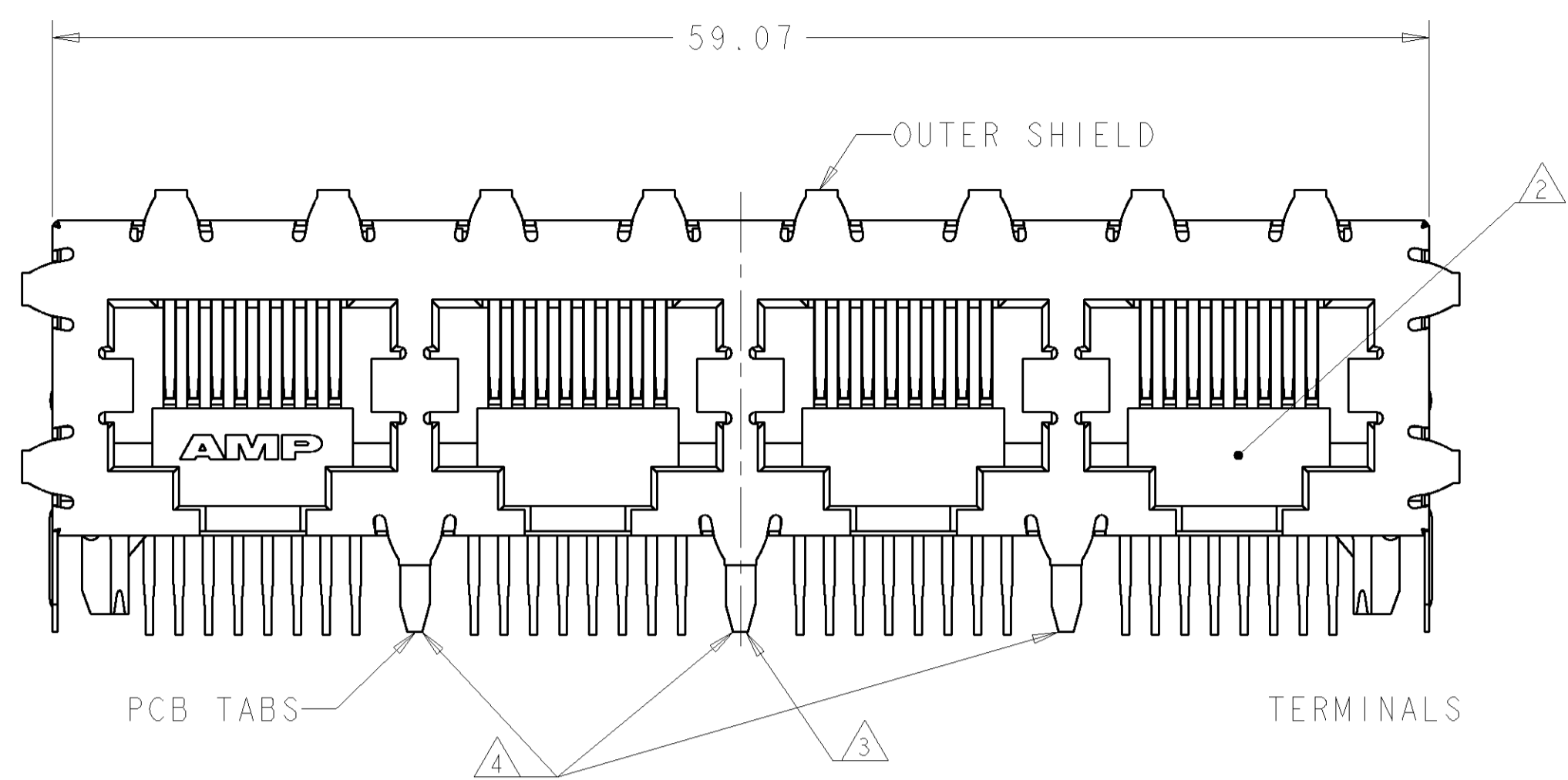
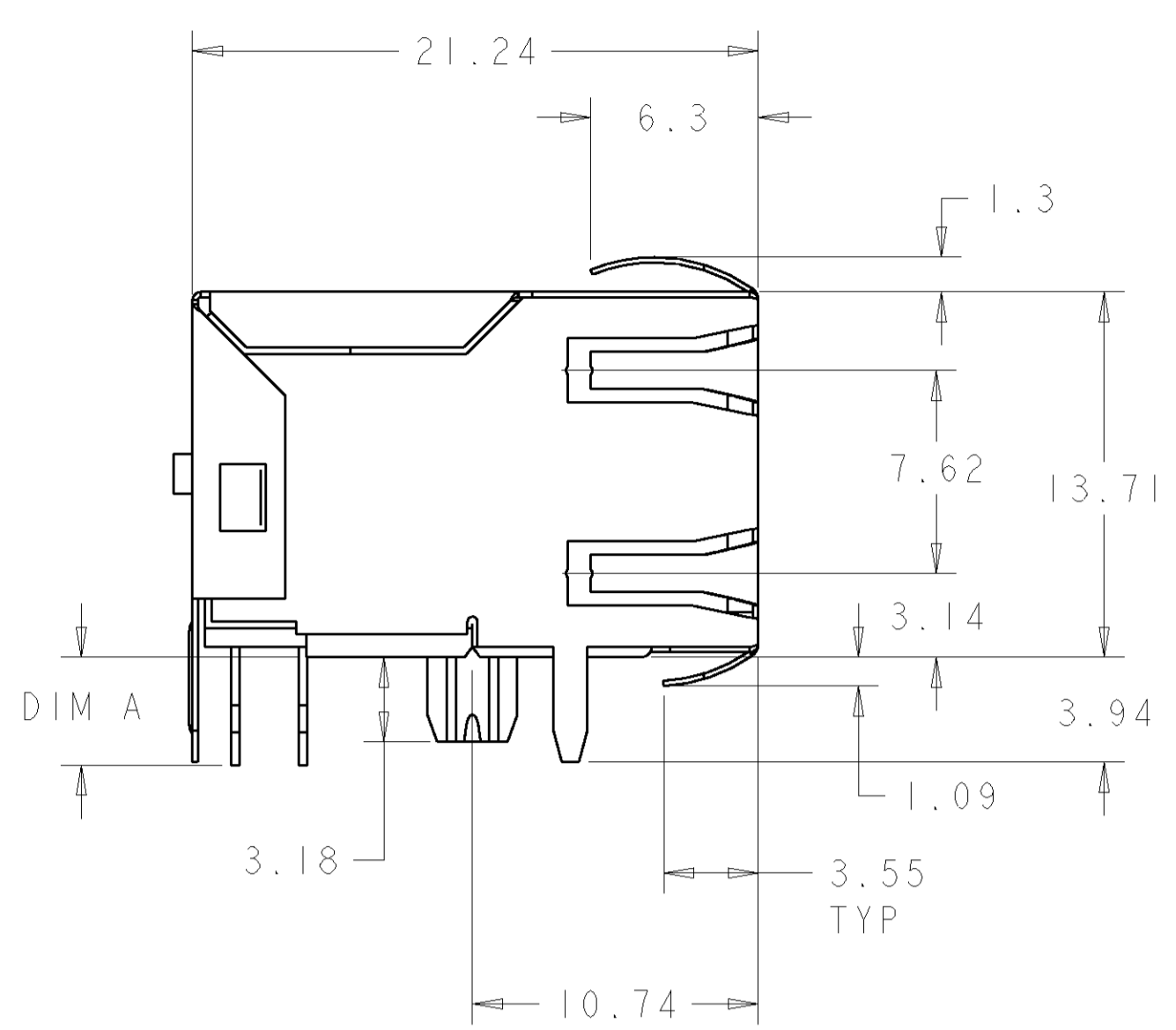
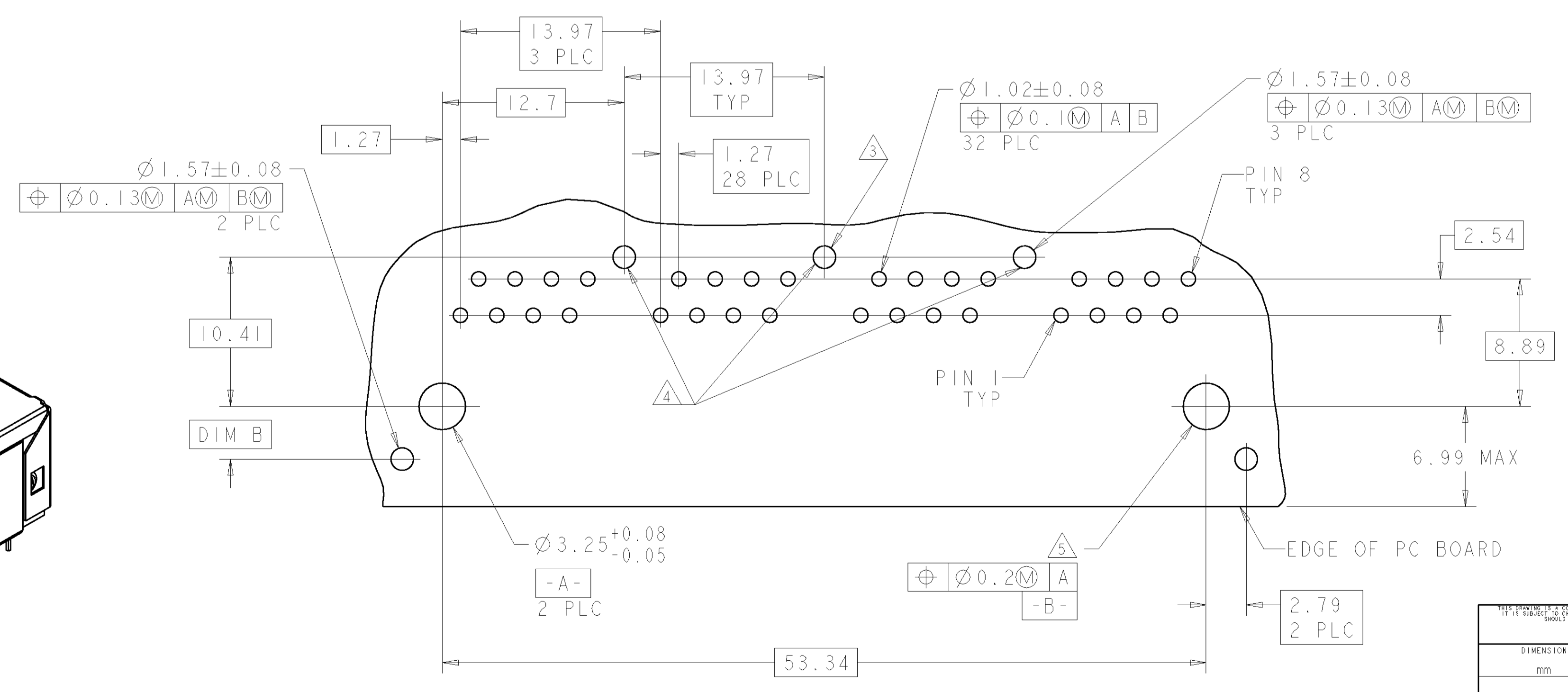
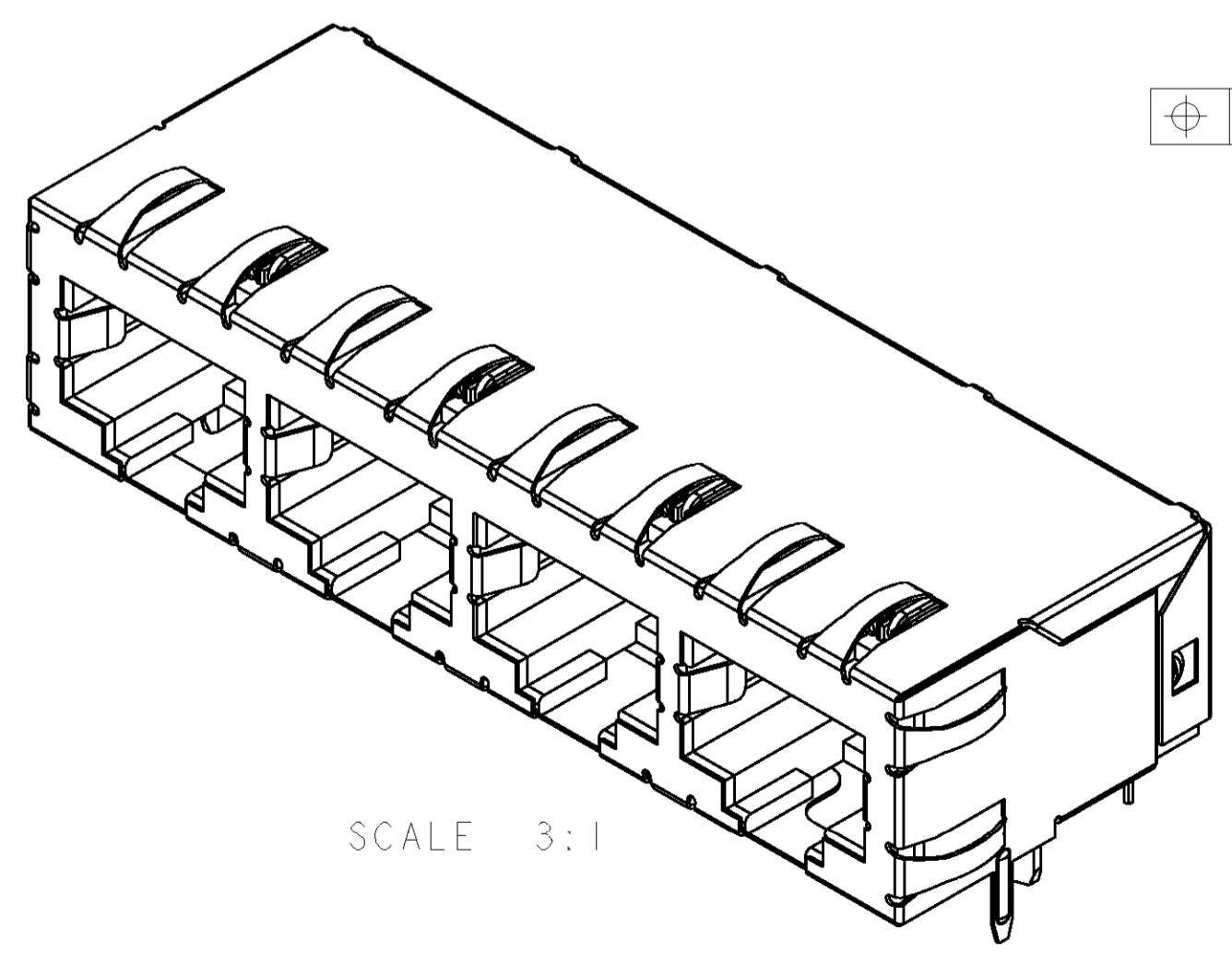


LOC	DIST	REV	DESCRIPTION	DATE	BY	APPD
AA	22	A	ECOS11-0201-04	09MAY2005	LAM	SF



SUGGESTED PANEL CUTOUT DIMENSIONS  
 SCALE 3:1

- MATERIAL: HOUSING - PCT POLYESTER, BLACK, UL 94V-0  
 TERMINALS: 0.305 THICK PHOS BRONZE PLATED WITH .0013mm MINIMUM THICK HARD GOLD IN LOCALIZED AREA AND .002mm MINIMUM THICK MATTE TIN IN SOLDER AREA OVER .0013mm MINIMUM THICK NICKEL UNDERPLATE  
 SHIELD - .196 THICK COPPER ALLOY PLATED WITH .0013mm MINIMUM NICKEL AND .002mm MINIMUM HOT TIN DIP ON PCB GROUND TABS
- JACK CAVITY CONFORMS TO FCC RULES AND REGULATIONS, PART 68 SUBPART F
- PCB HOLES/TABS USED FOR -3
- PCB HOLES/TABS USED FOR -2 AND -4
- USE #30 DRILL BIT OR 3.25mm DRILL BIT WHEN PRODUCING THESE PCB HOLES
- RECOMMENDED APPLICATIONS: FAST ETHERNET, 10 BASE-T ETHERNET, AND 10/100 BASE-T ETHERNET (CAT 5 TWO PAIR 1/2, 3/6)



PC BOARD VIEWED FROM COMPONENT SIDE OF BOARD  
 SCALE 4:1

DIM B	NUMBER OF REAR PCB TABS	DIM A	PART NO.
3.68	3	3.56	6339167-4
4.57	1	3.56	6339167-3
4.57	3	3.56	6339167-2
4.57	0	3.05	6339167-1

DIMENSIONS: mm 		TOLERANCES UNLESS OTHERWISE SPECIFIED: 0 PLC ± 1 PLC ±.25 3 PLC ± 4 PLC ± ANGLES ±		DWN S. SCHOLL/L.A. MAYER ENR J. WESTMAN APPD S. FLICKINGER 09MAY2005 09MAY2005 09MAY2005		<b>tyco</b> Electronics Tyco Electronics Harrisburg, PA 17105-3608	
MATERIAL SEE NOTE 1 FINISH SEE NOTE 1		CUSTOMER DRAWING		NAME ASSEMBLY, MULTI-PORT, 1X4, 8 POSITION, SHIELDED, WAVE PANEL GROUND PRODUCT SPEC 108-1163-9 APPLICATION SPEC 114-2048 WEIGHT - SCALE 4:1		SHEET 1 OF 1 REV A	