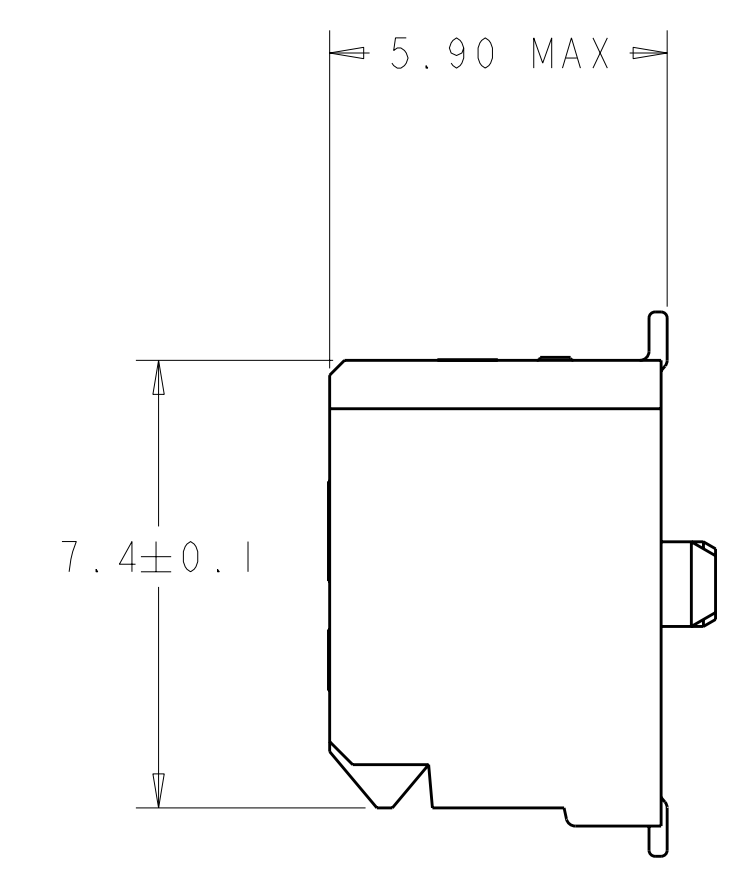
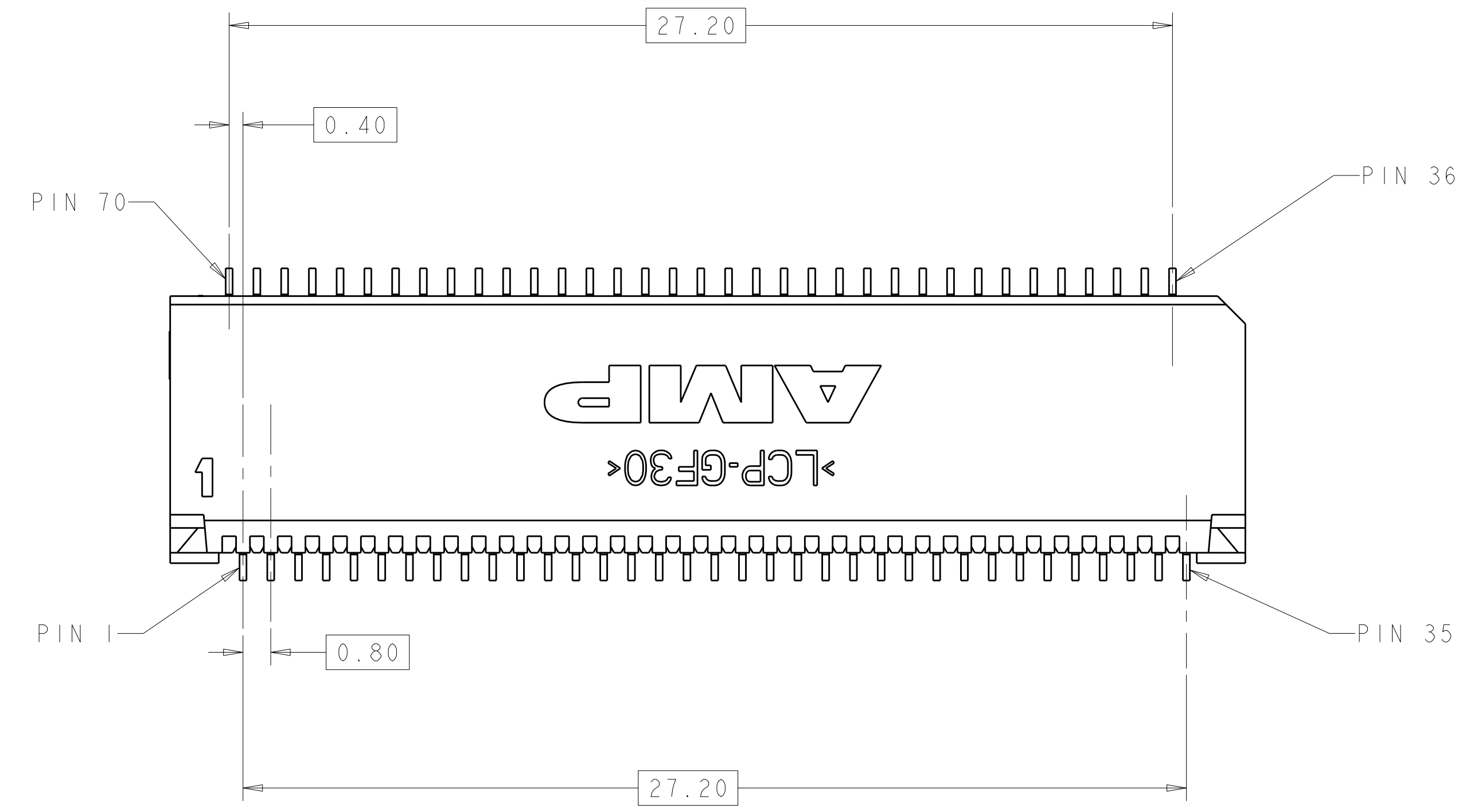
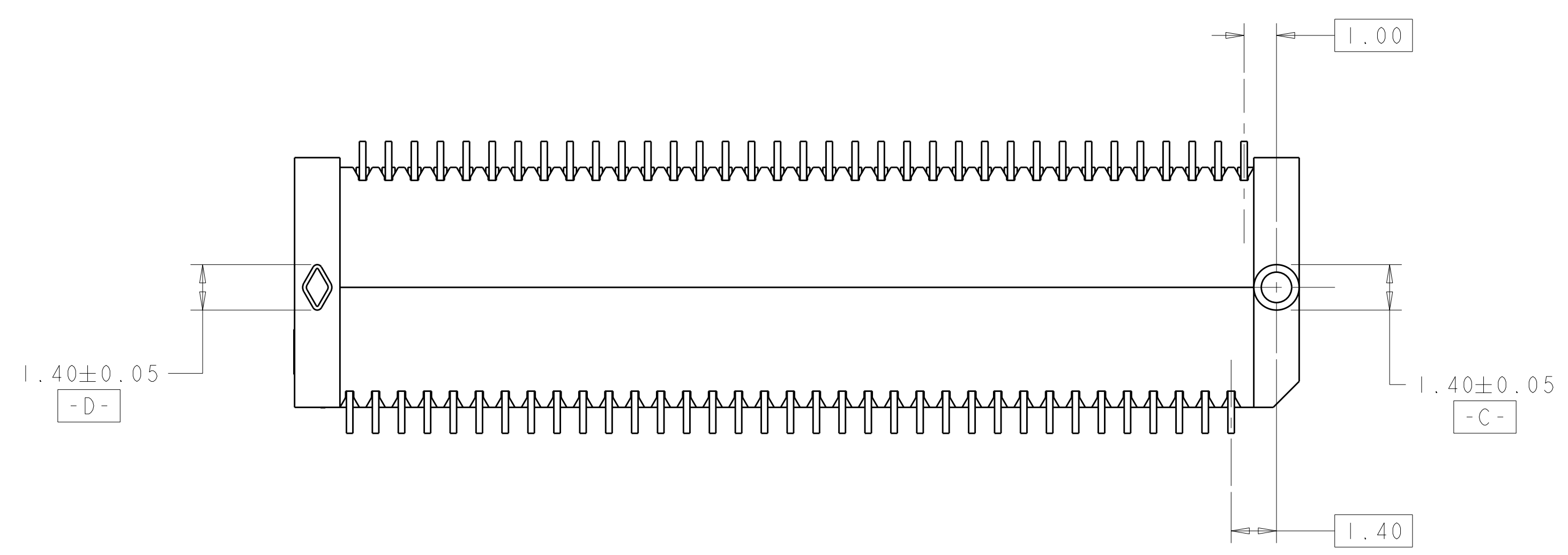
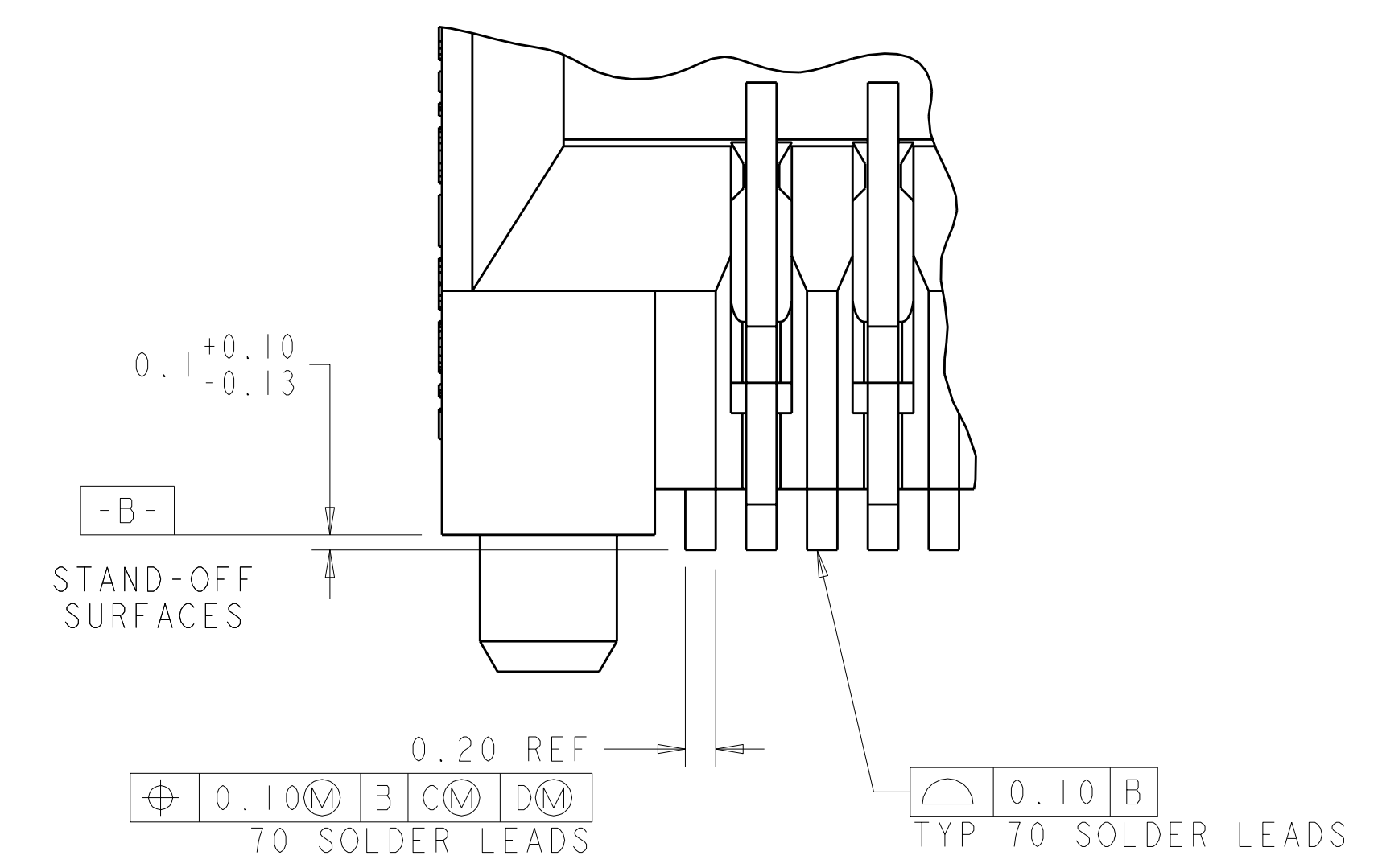
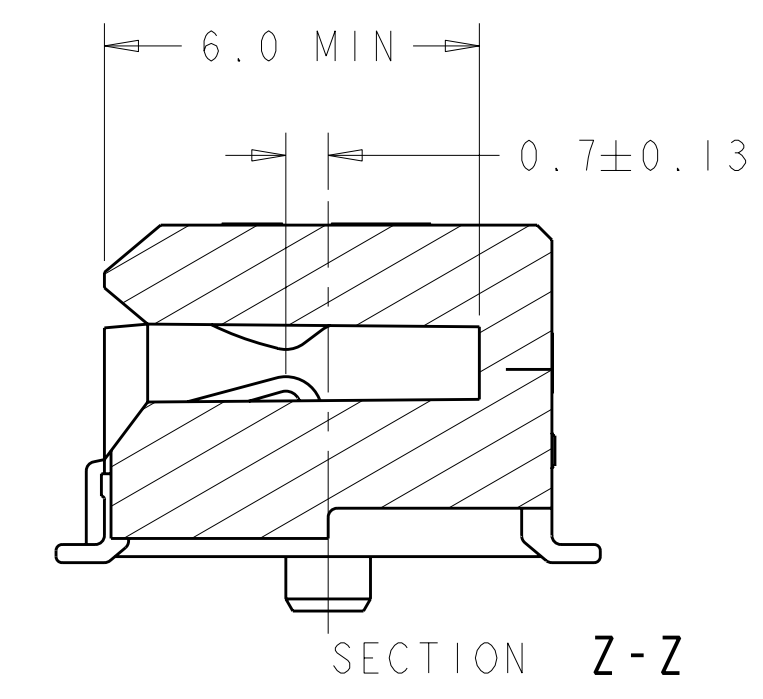
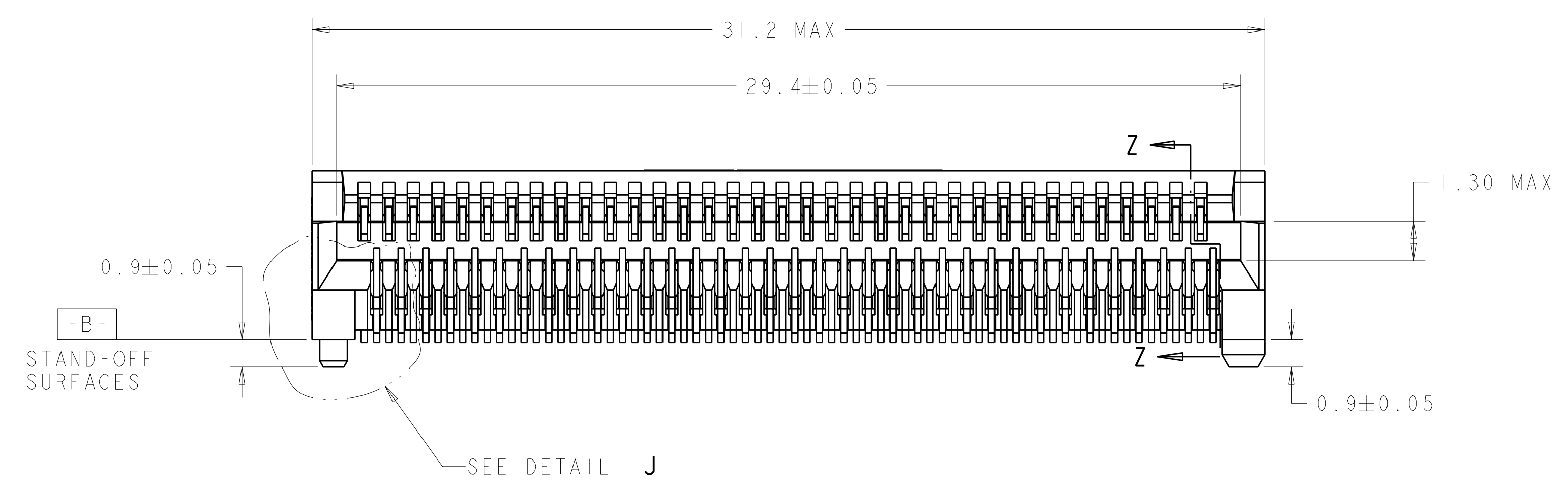
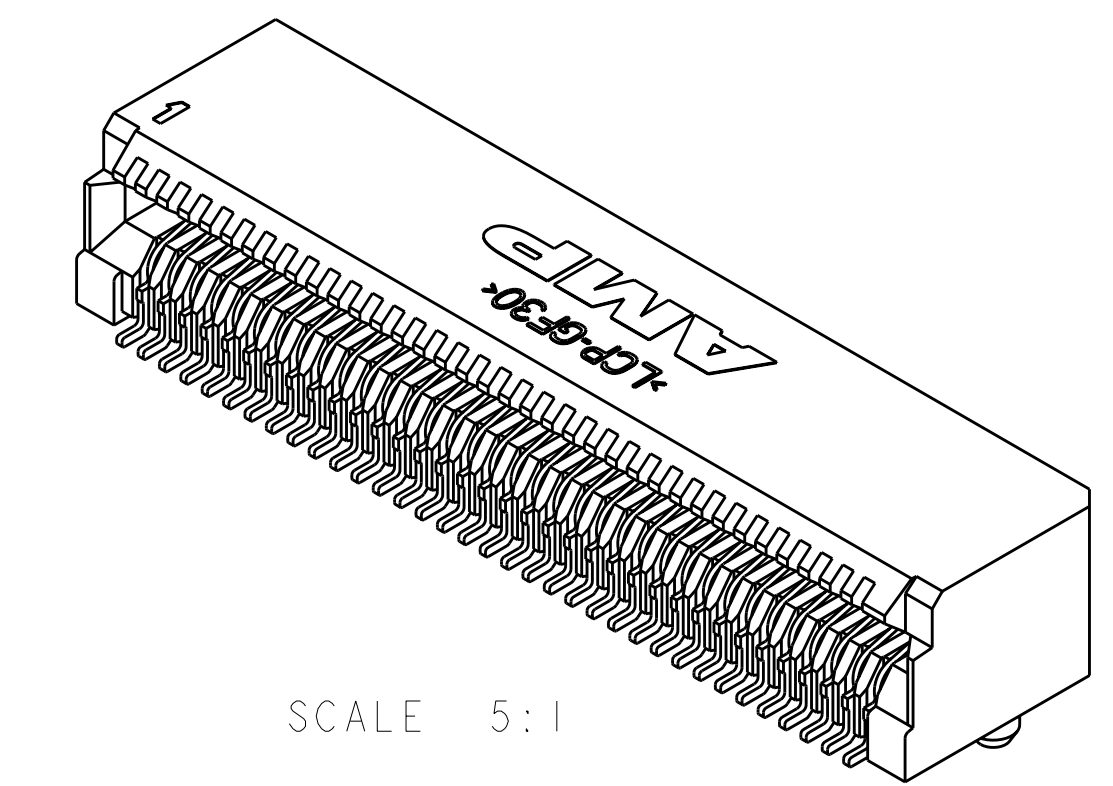


REVISONS		DATE	BY	APPD
C	REVISED PER EC 0513-0307-05	22FEB06	BM	SS
D	REVISED PER EC 0513-0220-05	22FEB06	BM	SS
E	REVISED PER ECO-06-011603	15NOV06	BM	SS
F	REVISED PER ECR-07-025522	25OCT07	LL	SY



- PART COMPATABLE XENPAK & X2 MSA. REFER TO THESE MSA'S FOR DIMENSIONS NOT SHOWN ON THIS PRINT.
- HOUSING: HIGH TEMPERATURE LCP, UL 94V-0 RATED, BLACK.
- CONTACTS: 0.00038 MIN GOLD IN CONTACT AREA, 0.00013 MIN GOLD ON SOLDER AREA, OVER 0.0038 MIN NICKEL UNDERPLATE ON ENTIRE CONTACT.
- PACKAGED 480 PIECES PER REEL.
- GROUND, POWER AND SIGNAL PAD ARRANGEMENT TO BE DETERMINED BY CUSTOMER.
- DATUMS AND BASIC DIMENSIONS ESTABLISHED BY CUSTOMER.
- CONTACTS: 0.00076 MIN GOLD IN CONTACT AREA, 0.00013 MIN GOLD ON SOLDER AREA, OVER 0.0038 MIN NICKEL UNDERPLATE ON ENTIRE CONTACT.

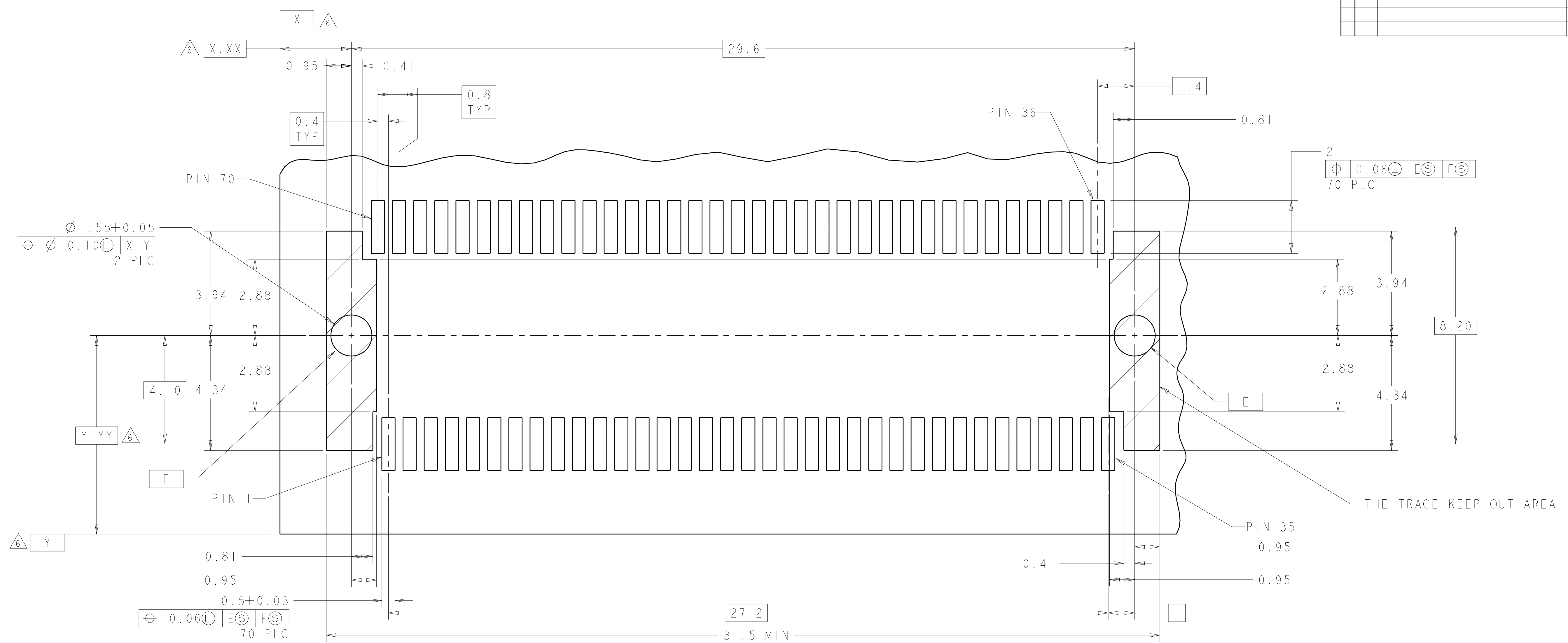


7	1367337-2
3	1367337-1
FINISH	PART NUMBER

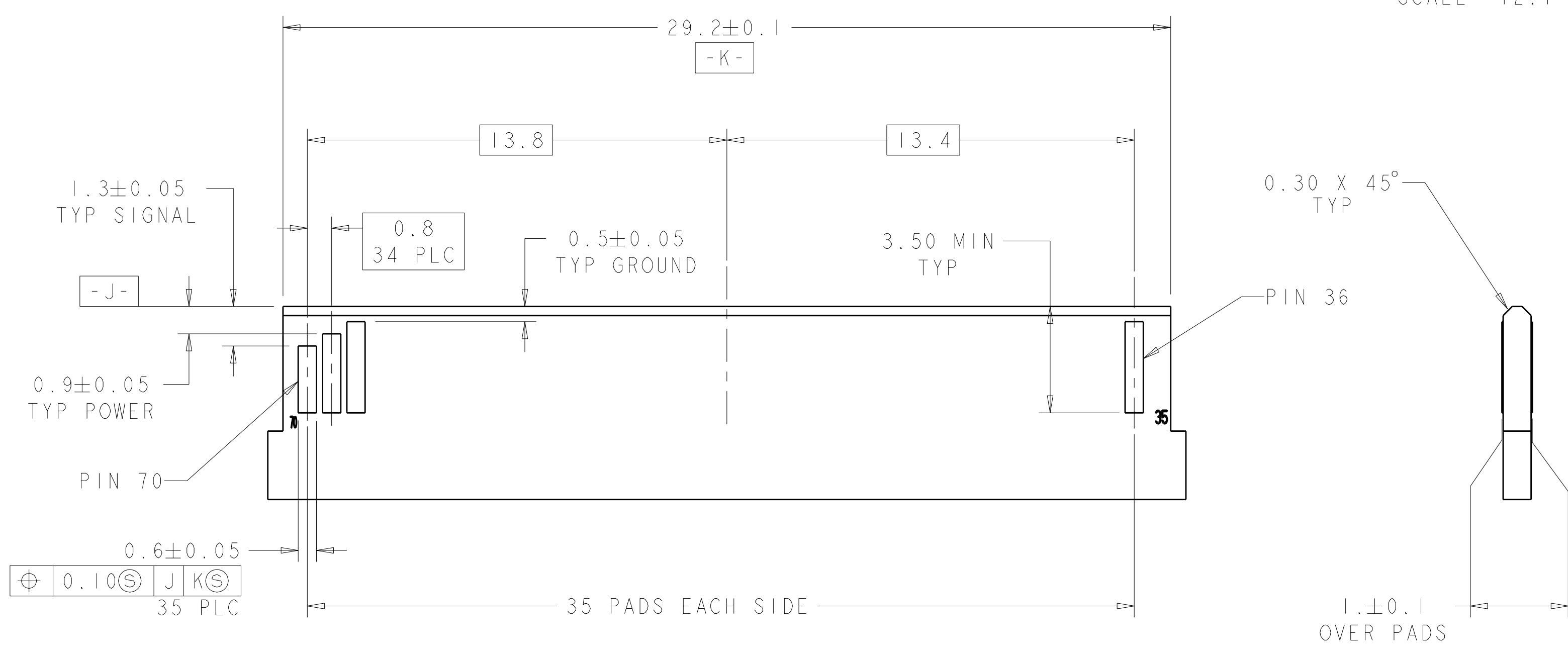
DIMENSIONS: mm 9 PLC ± 1 PLC ±0.10 5 PLC ± 4 PLC ± ANGLES ± FINISH SEE TABLE		TOLERANCES UNLESS OTHERWISE SPECIFIED: PRODUCT SPEC 108-1949 APPLICATION SPEC 114-13017 WEIGHT - CUSTOMER DRAWING		DWN D. BROCKWAY 12FEB01 CHK J. KOPPENHEFFER 08JUN01 APVD S. GOOD 08JUN01 NAME PT CONNECTOR ASSEMBLY, 70 POSITION, RTANG, 0.8MM SIZE A11 00779 C=1367337 SCALE 8:1 SHEET 1 OF 2 REV F		Tyco Electronics Corporation Shanghai, P.R.China, 200233	
--	--	---	--	---	--	---	--

LOC	DIST	REV	DATE	BY	APPD
ES	00				

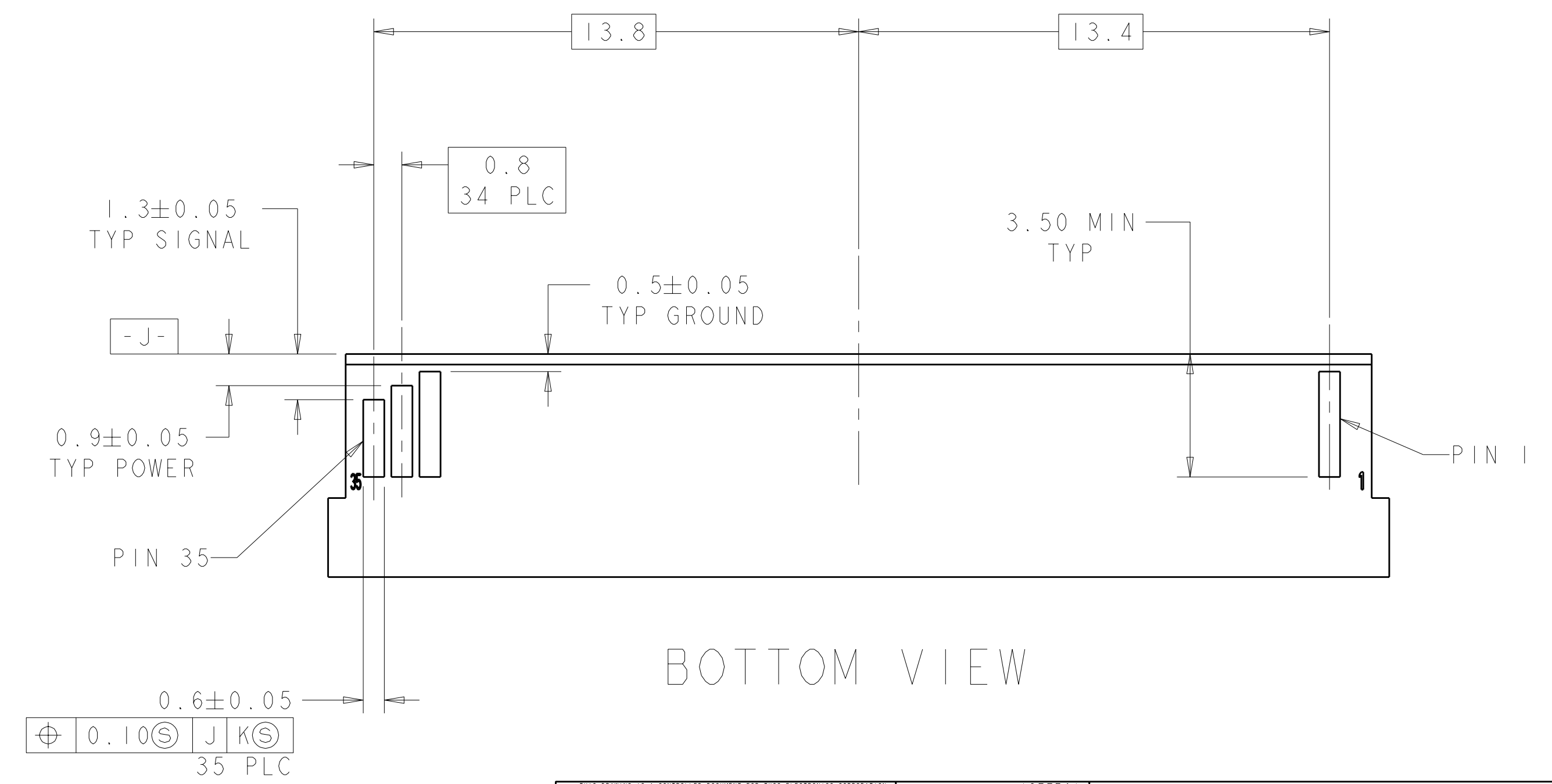
REVISIONS		DATE	BY	APPD
-	SEE SHEET 1	-	-	-



RECOMMENDED PCB LAYOUT DETAIL
 CONNECTOR MOUNTING SIDE
 SCALE 12:1



TOP VIEW



BOTTOM VIEW

RECOMMENDED LAYOUT DETAIL
 MATING PCB

DIMENSIONS: mm 		TOLERANCES UNLESS OTHERWISE SPECIFIED: 9 PLC ± 1 PLC ±0.10 5 PLC ± 4 PLC ± ANGLES ±		DWN D. BROCKWAY 12FEB01 CHK J. KOPPENHEFFER 08JUN01 APVD S. GOOD 08JUN01 PRODUCT SPEC APPLICATION SPEC WEIGHT CUSTOMER DRAWING		Tyco Electronics Tyco Electronics Corporation Shanghai, P.R.China. 200233	
MATERIAL: - FINISH: -		NAME: PT CONNECTOR ASSEMBLY, 70 POS, RIGHT ANGLE, 0.8mm PITCH		SIZE: A11 CAGE CODE: 00779 DRAWING NO: C-1367337		RESTRICTED TO: - SCALE: 8:1 SHEET: 2 OF 2 REV: F	