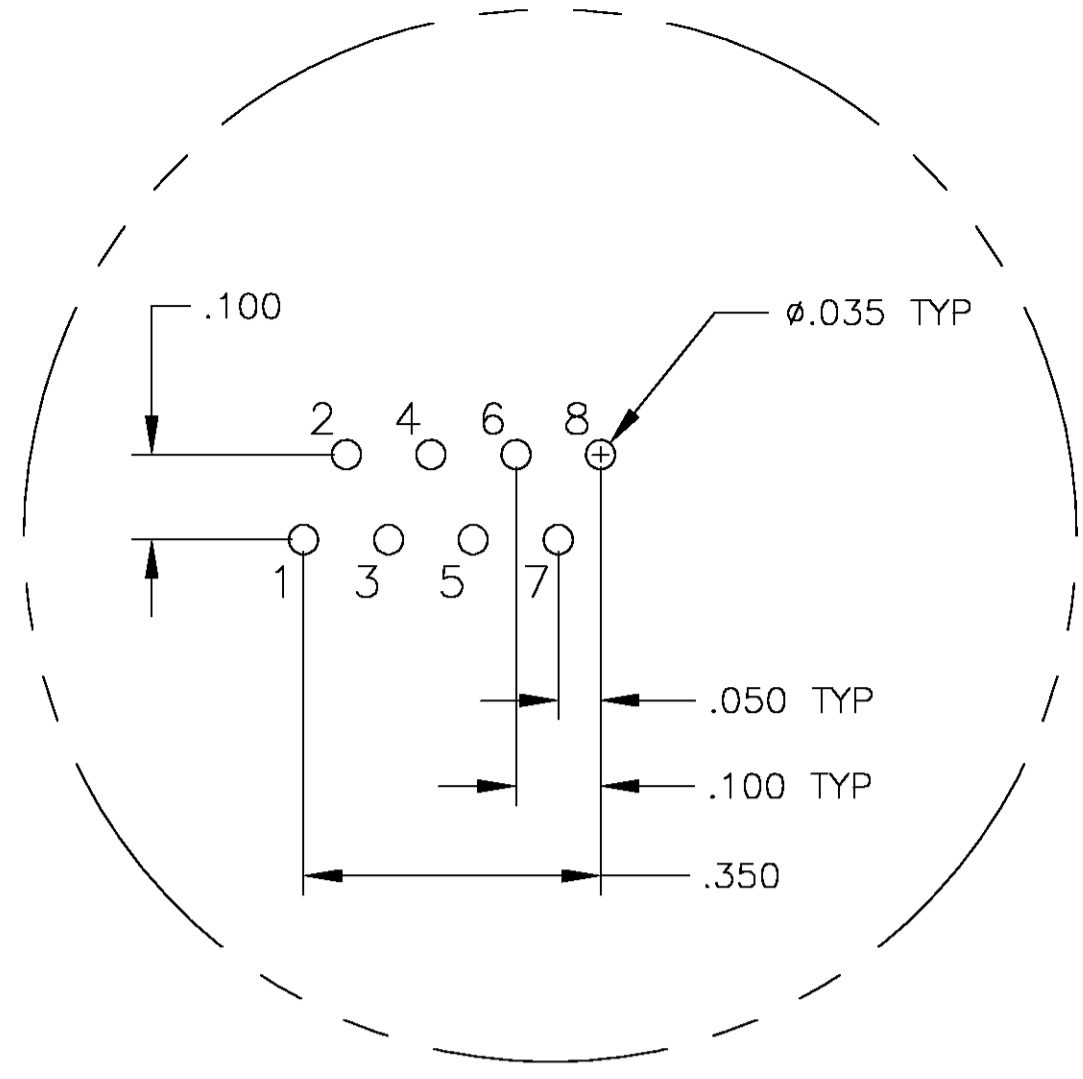
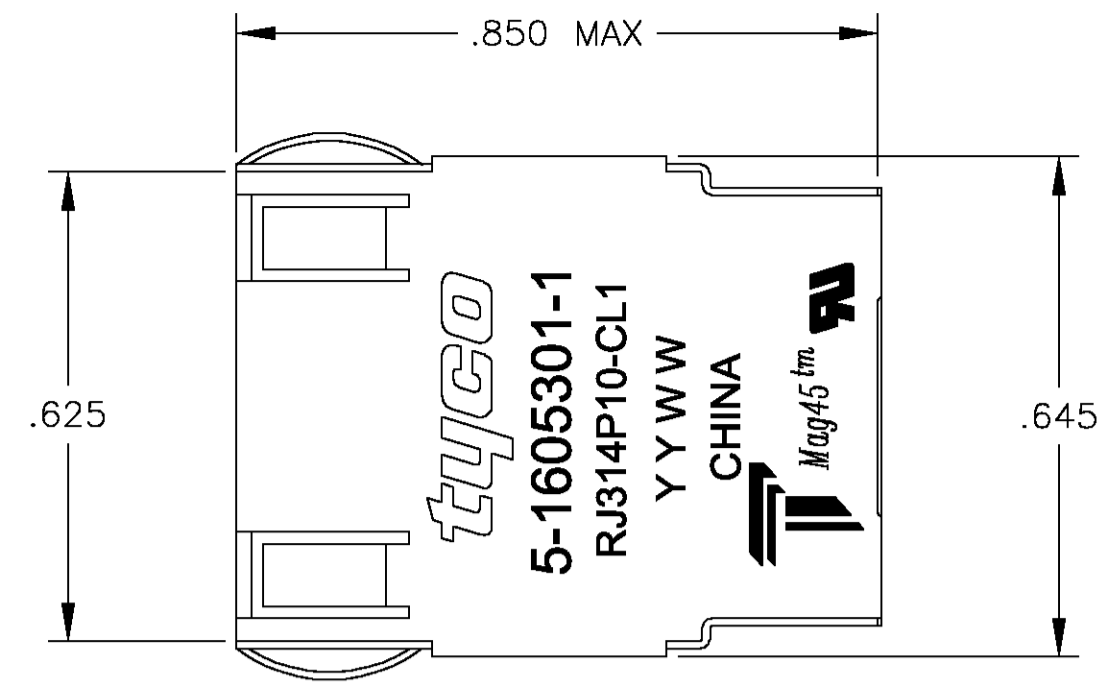
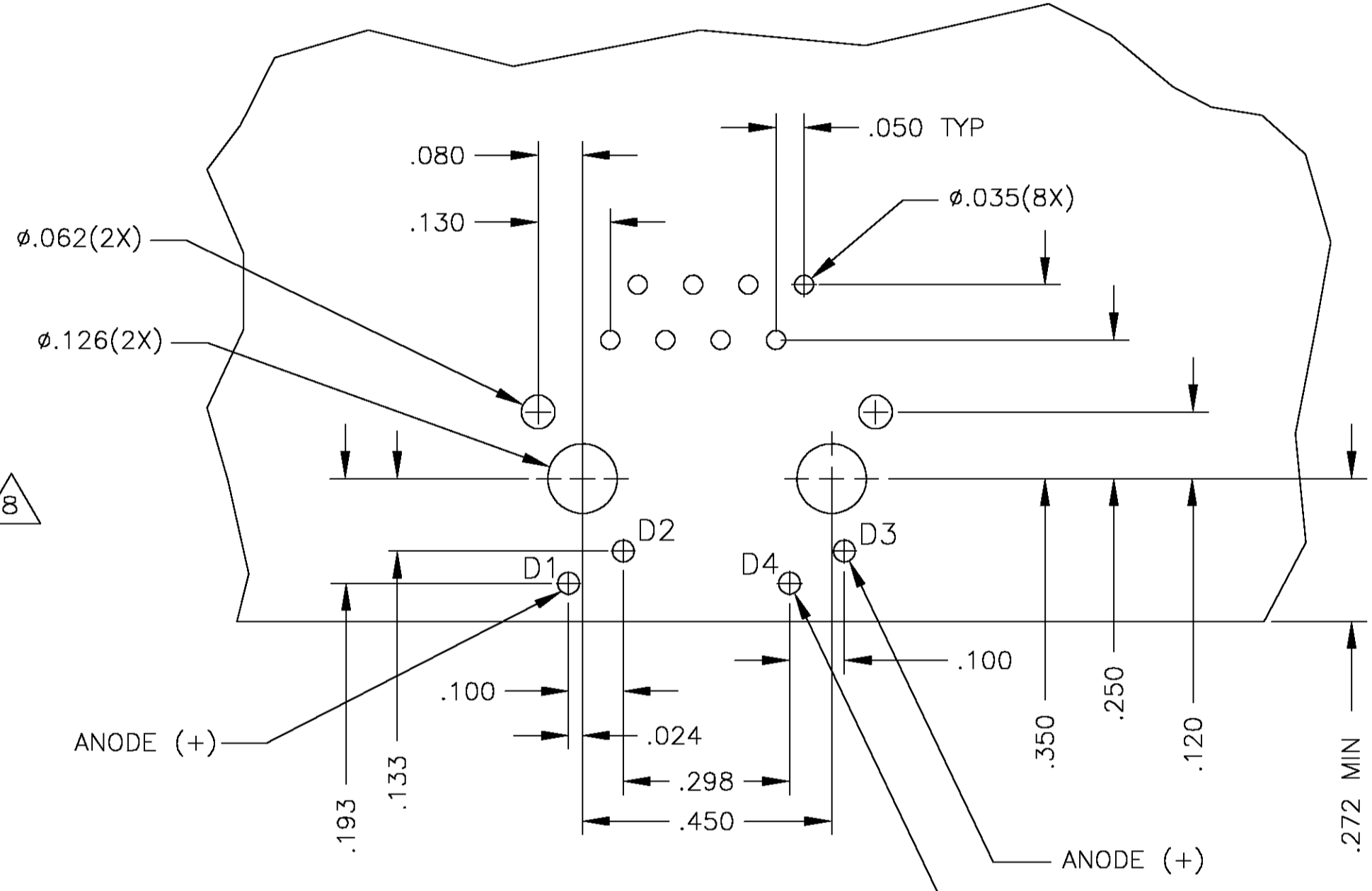
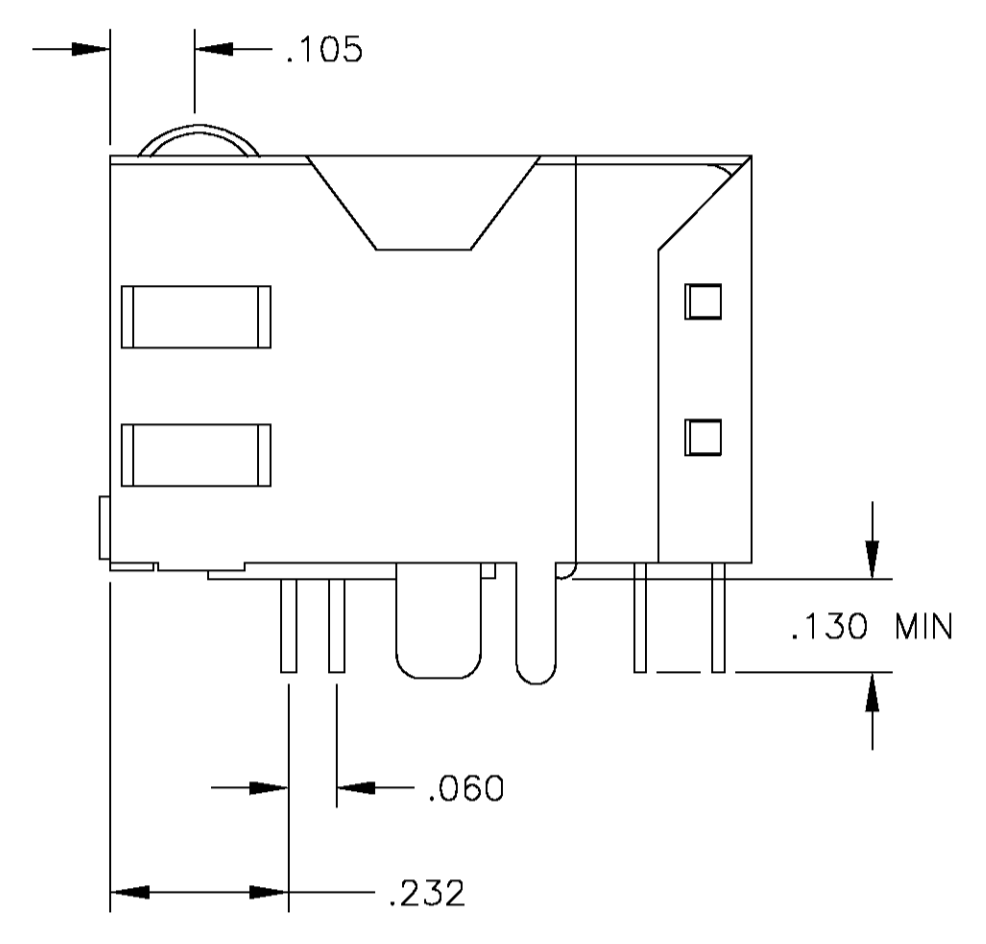
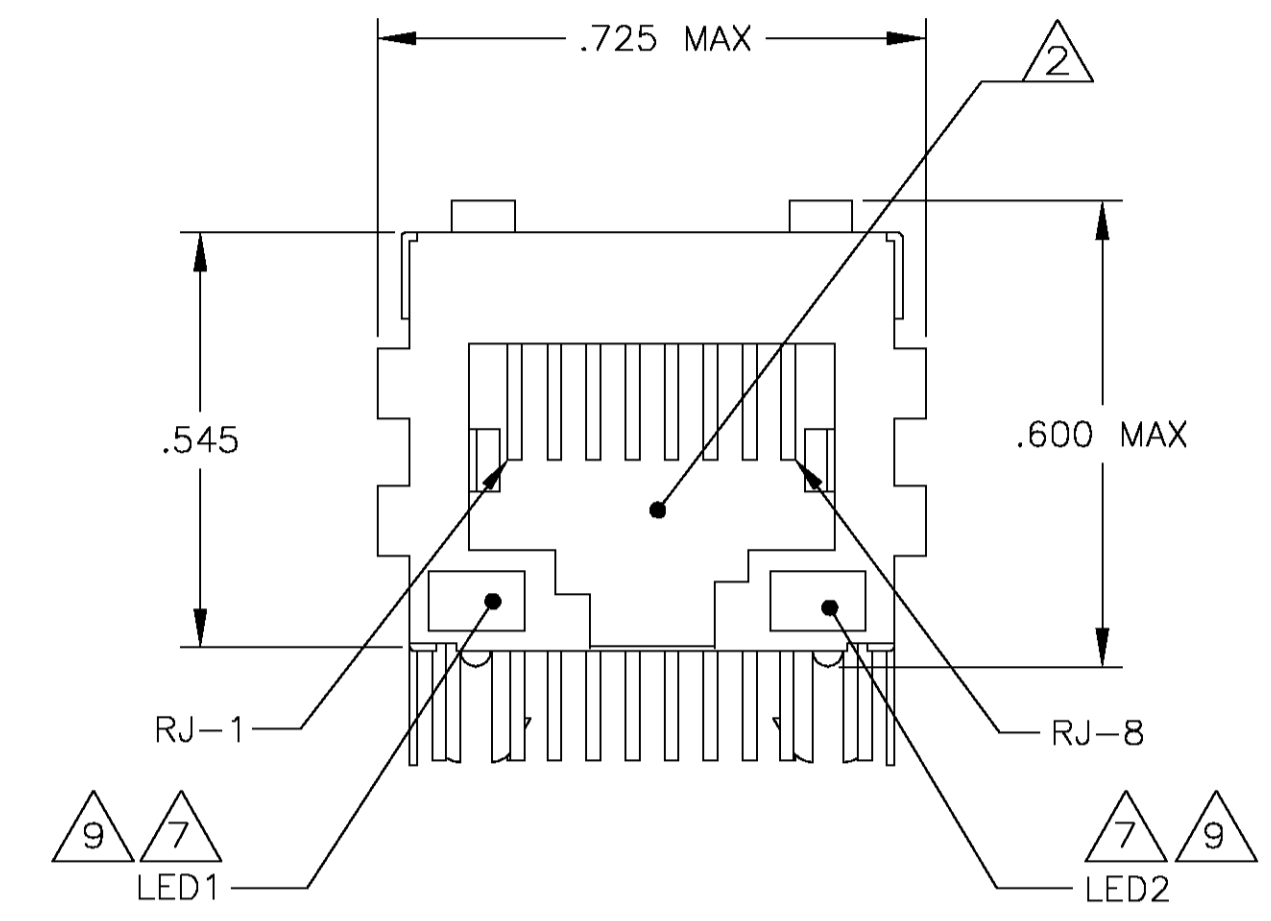


**MECHANICAL:**

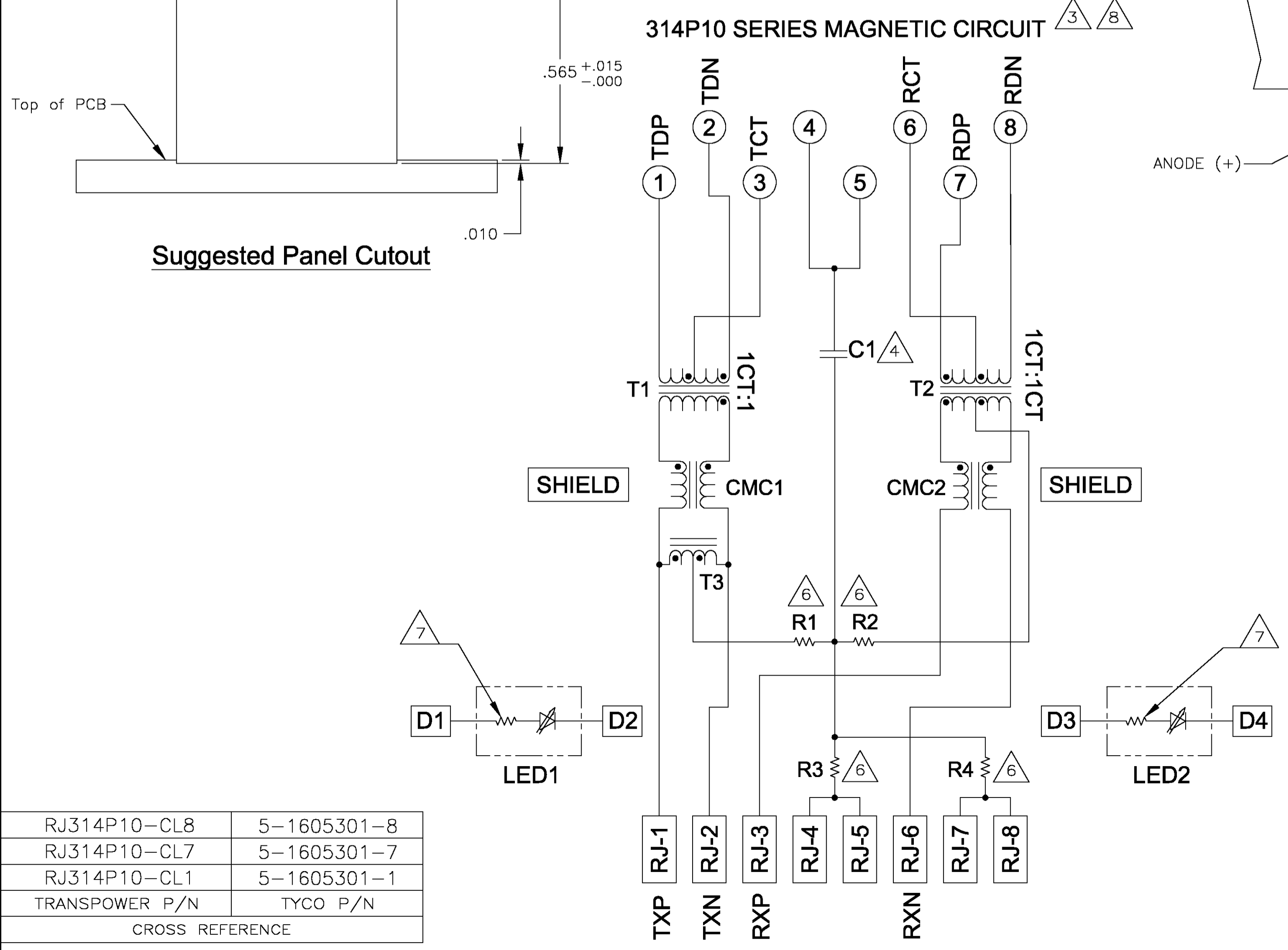


**Pin Designations**



**Suggested PCB Layout (Component Side)**

**314P10 SERIES MAGNETIC CIRCUIT**



RJ314P10-CL8	5-1605301-8
RJ314P10-CL7	5-1605301-7
RJ314P10-CL1	5-1605301-1
TRANSPower P/N	TYCO P/N
CROSS REFERENCE	

- MATERIALS:**
- HOUSING** - THERMOPLASTIC PET POLYESTER FLAMMABILITY RATING UL 94V-0.
- SHIELD** - .010" THICK, C26800 BRASS PREPLATED WITH 80-150μinch SEMI-BRIGHT NICKEL, POST-DIPPED WITH 100μinch MIN TIN-LEAD.
- MOD JACK CONTACTS** - .0157" x .018" THICK, PHOSPHOR BRONZE, 50μinch MIN OVERALL NICKEL UNDERPLATE, WITH SELECT 50μinch MIN HARD GOLD FINISH PLATE. SOLDER TAILS WITH 50μinch MIN TIN-LEAD FINISH PLATE.
- LIGHT EMITTING DIODE(LED)** - DIFFUSED EPOXY LENS, .020" x .020" CARBON STEEL WIREFRAME LEADS PREPLATED WITH 90μinch SILVER OVER 40μinch NICKEL UNDERPLATE OVER 80μinch COPPER UNDERPLATE, POST-PLATED WITH 300μinch THICK TIN-LEAD.

RJ45 JACK CAVITY CONFORMS TO FCC RULES AND REGULATIONS PART 68, SUB PART F.

- MAGNETICS:**
- IMPEDANCE: 100 OHMS
- TRANSMIT OPEN CIRCUIT INDUCTANCE (OCL): 350μH (MIN) @100KHZ, 0.1 VRMS WITH 8 mA DC BIAS FOR EACH TRANSFORMER OVER T = 0° TO +70°C.
- RISE TIME: 2.5 NANO-SECONDS FROM 10 TO 90 PERCENT.
- TURNS RATIO (CHIP: CABLE): TX: 1:1, RX: 1:1

**PERFORMANCE:**

- TRANSMIT RJ-1 & 2.
- RECEIVE RJ-3 & 6.

FREQUENCY	*INSERTION LOSS	RETURN LOSS	CROSSTALK ATTENUATION	COMMON MODE REJECTION RATIO	
				TX	RX
.100 MHZ-.999 MHZ	1.0 dB(MAX)	18.0 dB(MIN)	43.0 dB(MIN)	46.0 dB(MIN)	35.0 dB(MIN)
1.0 MHZ-15.0 MHZ	0.3 dB(MAX)	18.0 dB(MIN)	43.0 dB(MIN)	46.0 dB(MIN)	35.0 dB(MIN)
15.1 MHZ-60.0 MHZ	0.6 dB(MAX)	18.0 dB(MIN)	43.0 dB(MIN)	46.0 dB(MIN)	35.0 dB(MIN)
60.1 MHZ-80.0 MHZ	1.1 dB(MAX)	15.0 dB(MIN)	38.0 dB(MIN)	42.0 dB(MIN)	33.0 dB(MIN)
80.1 MHZ-100.0 MHZ	1.1 dB(MAX)	12.0 dB(MIN)	38.0 dB(MIN)	42.0 dB(MIN)	33.0 dB(MIN)

ALL MAGNETIC ELECTRICAL CHARACTERISTICS RATED @ T=25° C  
 \*INDICATED INSERTION LOSS REFERS TO MAGNETIC CIRCUITRY ONLY

**HIPOT (ISOLATION VOLTAGE):**

- 2250 VDC (1 mA CUTOFF CURRENT) FOR 60 SECONDS DURATION.
- ALL BRIDGED ON EITHER SIDE OF MAGNETICS PACKAGE FOR RJ-45 CONTACTS.
- OPERATING TEMPERATURE: FROM 0° TO +70°C.

- C1 = 1000 pF, 2KV DECOUPLING CAPACITOR.
- ALL DIMENSIONS NOMINAL UNLESS OTHERWISE NOTED.
- R1-R4 = 75 OHMS, 1/16 W, 5% RESISTORS.
- LED COMPLIANT WITH IEC60825-1 SAFETY OF LASER PRODUCTS. WHEN OPERATED UP TO 20 mA. THE 250 OHM RESISTOR IS INCLUDED IN THE LEDS ON 5-1605301-1 ONLY.
- INDICATED CONNECTIONS ARE FOR HUB CONFIGURATION. THE MAGNETICS ARE ASYMMETRICAL, AND DO NOT SUPPORT AUTO-MDIX/MDIX.
- LED PEAK WAVELENGTH: GREEN(λ) = 565nm  
YELLOW(λ) = 585nm

GREEN	YELLOW	5-1605301-8
GREEN	GREEN	5-1605301-7
GREEN	YELLOW	5-1605301-1
LED1	LED2	PART NUMBER

THIS DRAWING IS A CONTROLLED DOCUMENT.

DIMENSIONS: INCHES	TOLERANCES UNLESS OTHERWISE SPECIFIED:	0 PLC ± -	1 PLC ± .010	2 PLC ± .010	3 PLC ± .010	4 PLC ± .010	ANGLES ± -
--------------------	--	-----------	--------------	--------------	--------------	--------------	------------

MATERIAL	FINISH	WEIGHT	SIZE	CAGE CODE	DRAWING NO	RESTRICTED TO
			A1	00779	1605301	

CUSTOMER DRAWING SCALE NTS SHEET 1 OF 1 REV C