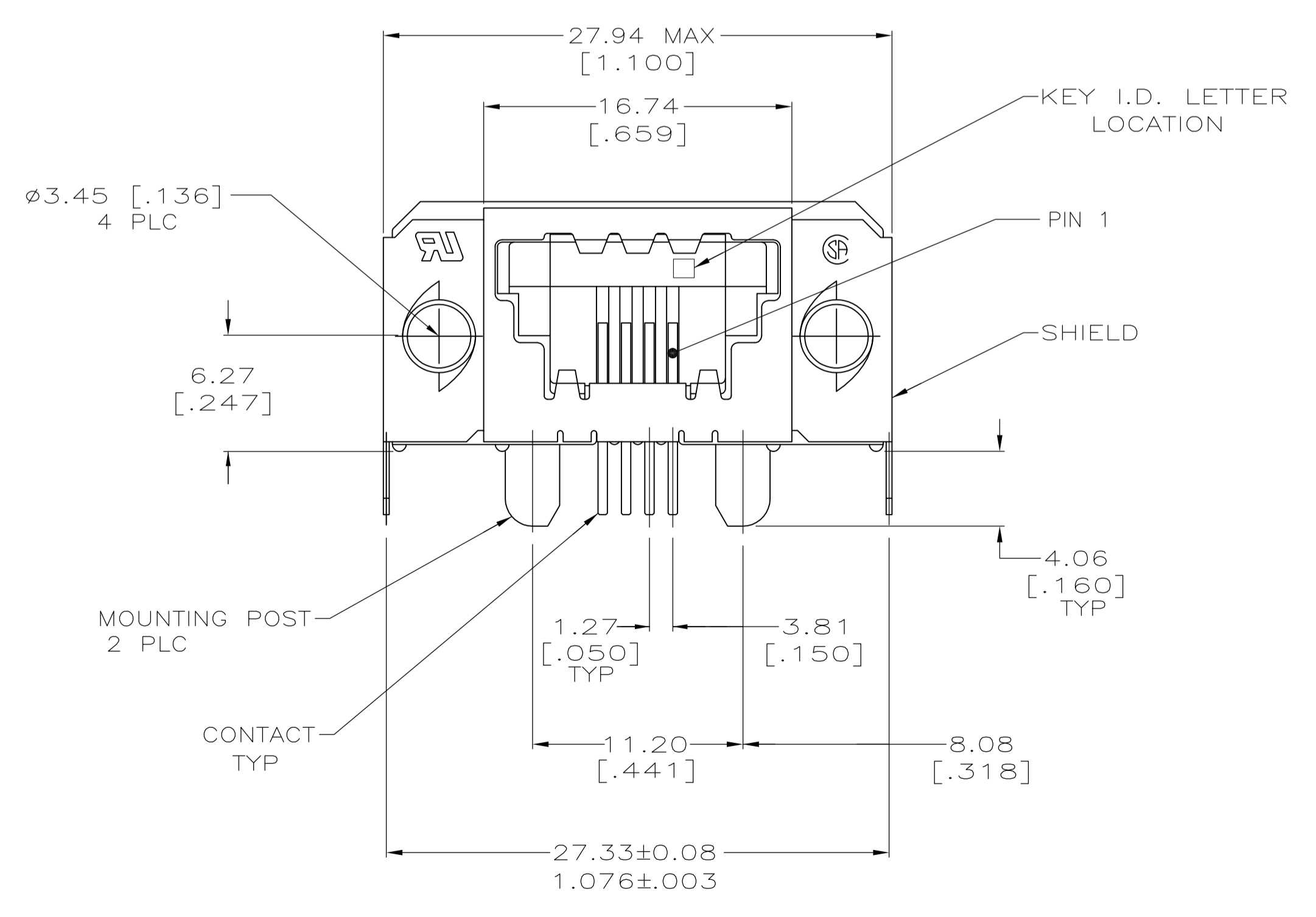
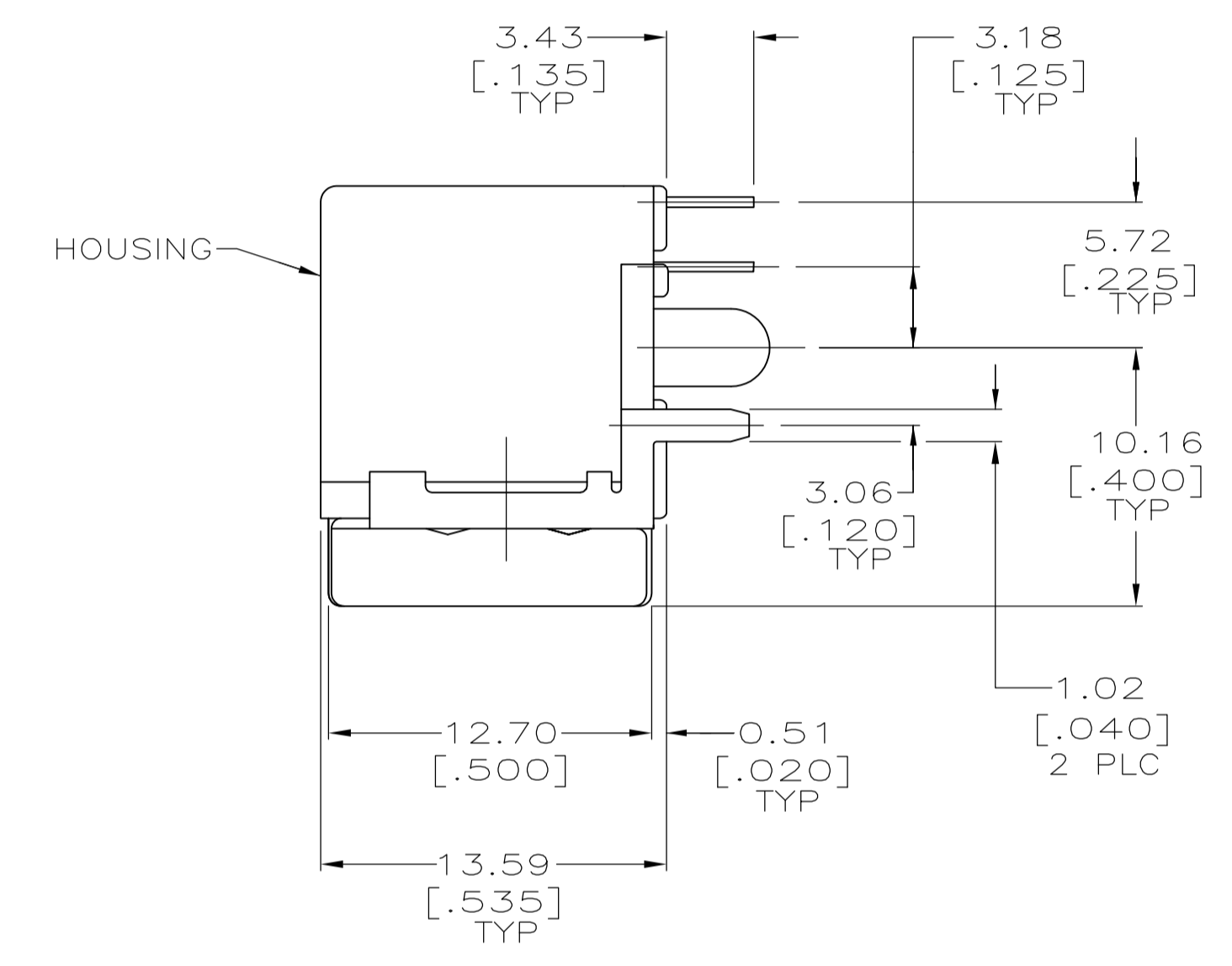
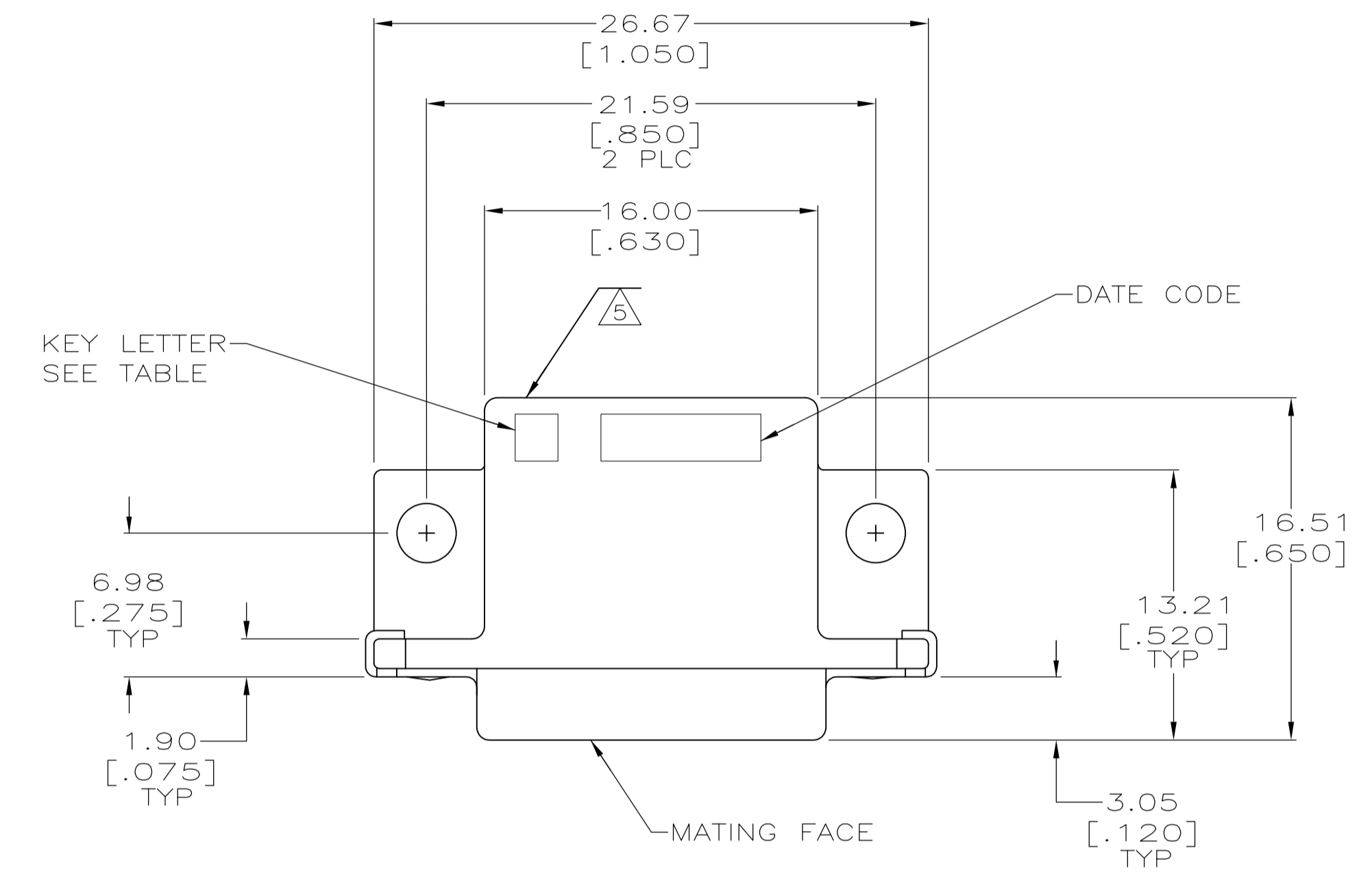


- PREFIX AND SUFFIX NUMBERS MUST MATCH THOSE ON PLUG ASSEMBLY FOR PARTS TO MATE.
- POLYESTER, FLAME RETARDANT, UL 94V-0 RATED, GLASS FILLED, BLACK.
- 3.81µm [.000150] MIN BRIGHT TIN OVER 1.27µm [.000050] MIN NICKEL.
- 1.27µm [.000050] MIN GOLD ON MATING SURFACE FOR A LENGTH OF 2.54 [.100] MIN.
 3.81µm [.000150] MIN MATTE TIN ON OPPOSITE END FOR A LENGTH OF 3.81 [.150] MIN,
 BOTH OVER 1.27µm [.000050] MIN NICKEL ON ENTIRE CONTACT.
- NUMBERS 13, 14, 15, 16 OR LETTER P TO APPEAR ON LOWER RIGHT REAR OF HOUSING IN AREA INDICATED.



	E	5-1761190-1
OBSOLETE	B	2-1761190-1
	A	1-1761190-1
	KEY I.D. LETTER	PART NO

THIS DRAWING IS A CONTROLLED DOCUMENT.		DIN B MCMAS7ER 26APR04	Tyco Electronics Corporation	
DIMENSIONS: INCHES		CIK C.ROHDE 26APR04	Harrisburg, PA 17105-3608	
TOLERANCES UNLESS OTHERWISE SPECIFIED:		APVD M. WALMSLEY 26APR04	NAME RECEPTACLE ASSEMBLY, 4 POSITION, SIDE ENTRY WITH GROUND, SDL	
0 PLC ± -		PRODUCT SPEC 108-2047	APPLICATION SPEC 114-2081	
1 PLC ± -		SIZE A1	CAGE CODE 00779	DRAWING NO 1761190
2 PLC ± -		RESTRICTED TO	WEIGHT	SCALE 4:1
3 PLC ± 0.38 [.015]				SHEET 1 OF 1
4 PLC ± -				REV 02
ANGLES ± -				
MATERIAL: HOUSING: SHIELD: BRASS CONTACT: PHOS BRONZE	FINISH: SHIELD: CONTACT:	CUSTOMER DRAWING		