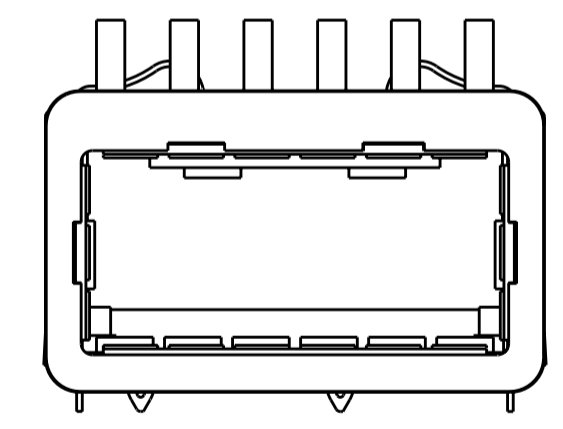
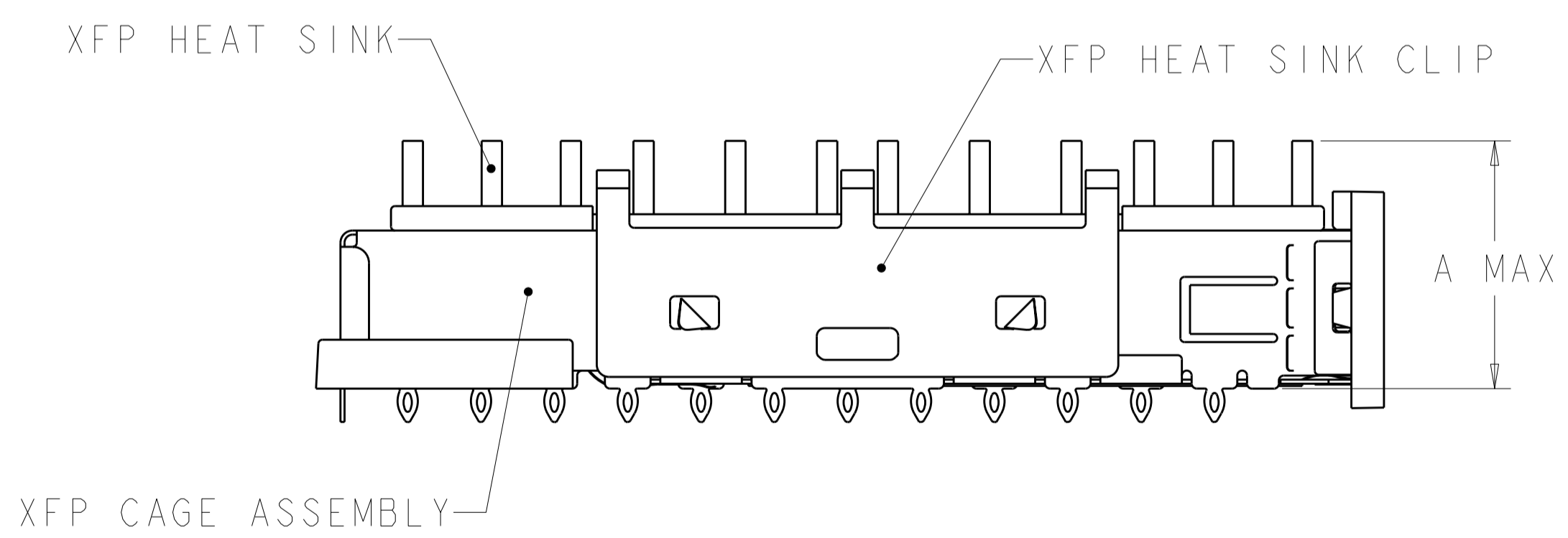
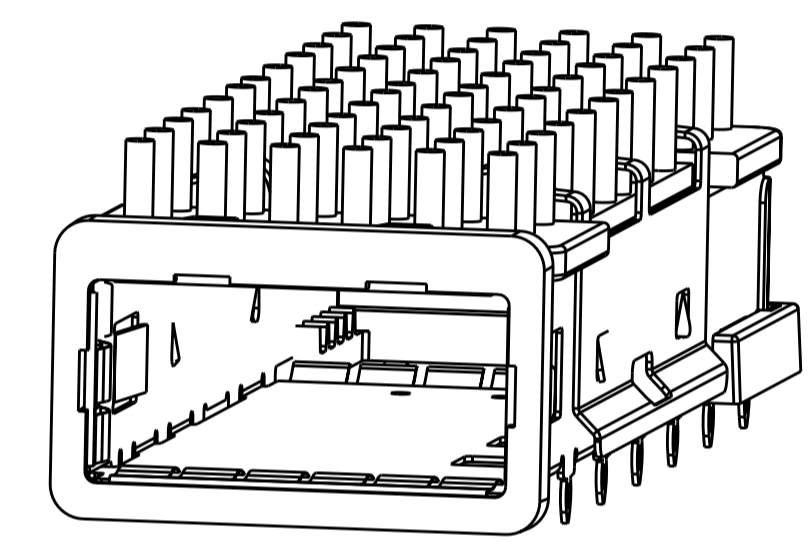
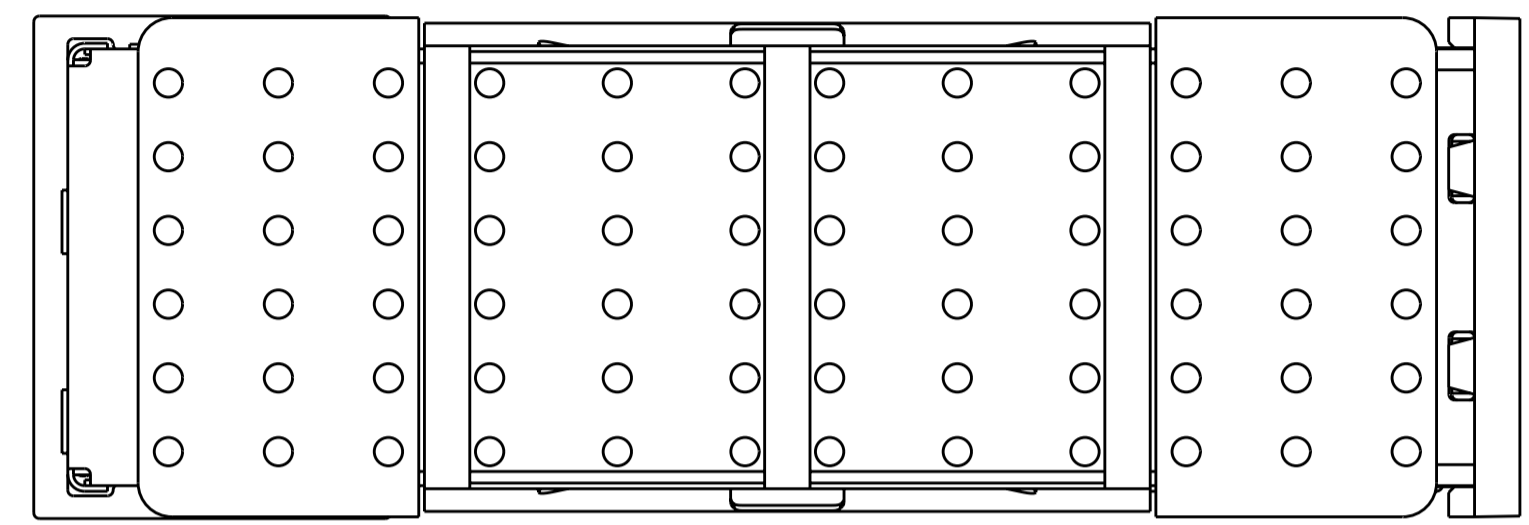


THIS DRAWING IS UNPUBLISHED. RELEASED FOR PUBLICATION 20  
 © COPYRIGHT 20 BY TYCO ELECTRONICS CORPORATION. ALL RIGHTS RESERVED.

LOC	DIST	REVISIONS			
P	LTR	DESCRIPTION	DATE	DWN	APVD
GP	00				
	I	PRELIMINARY	23MAY06	BM	JK
	A	RELEASED PER ECO-06-020071	09OCT06	BM	JK

1. MATES WITH XFP MSA COMPLIANT TRANSCEIVERS.
2. SEE COMPONENT DRAWINGS FOR COMPONENT DIMENSIONS AND INFORMATION.



22.9	1542706-2	1489948-2	1658871-1	NETWORKING	1888481-3
15.8	1542618-2	1489948-2	1658871-1	SAN	1888481-2
13.6	1542656-2	1489948-2	1658871-1	PCI	1888481-1
A MAX	HEATSINK PART NUMBER	HEATSINK CLIP PART NUMBER	CAGE PART NUMBER	APPLICATION	PART NUMBER

<small>THIS DRAWING IS A CONTROLLED DOCUMENT FOR TYCO ELECTRONICS CORPORATION. IT IS SUBJECT TO CHANGE AND THE CONTROLLING ENGINEERING ORGANIZATION SHOULD BE CONTACTED FOR THE LATEST REVISION.</small>		DWN B. MCMASTER 23MAY06 CHK J. KOPPENHEFFER 23MAY06 APVD J. KOPPENHEFFER 23MAY06	<b>tyco</b> Electronics Tyco Electronics Harrisburg, PA 17105-3608
DIMENSIONS: mm 		PRODUCT SPEC 108-2127 APPLICATION SPEC 114-13096 WEIGHT -	NAME XFP KIT ASSEMBLY SIZE A2 CAGE CODE 00779 DRAWING NO. 1888481 RESTRICTED TO -
TOLERANCES UNLESS OTHERWISE SPECIFIED: 0 PLC ± 1 PLC ± 2 PLC ± 3 PLC ± 4 PLC ± ANGLES ± FINISH		CUSTOMER DRAWING SCALE 3:1 SHEET 1 OF 1 REV A	