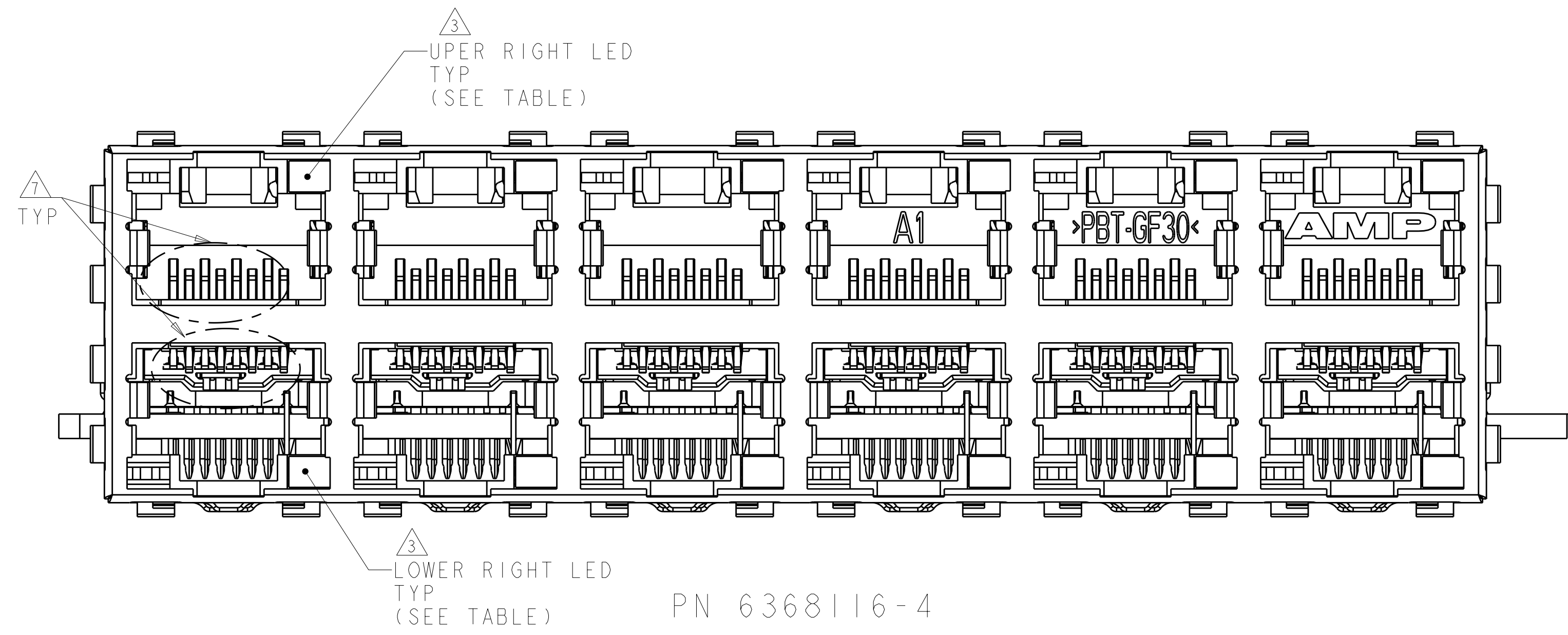
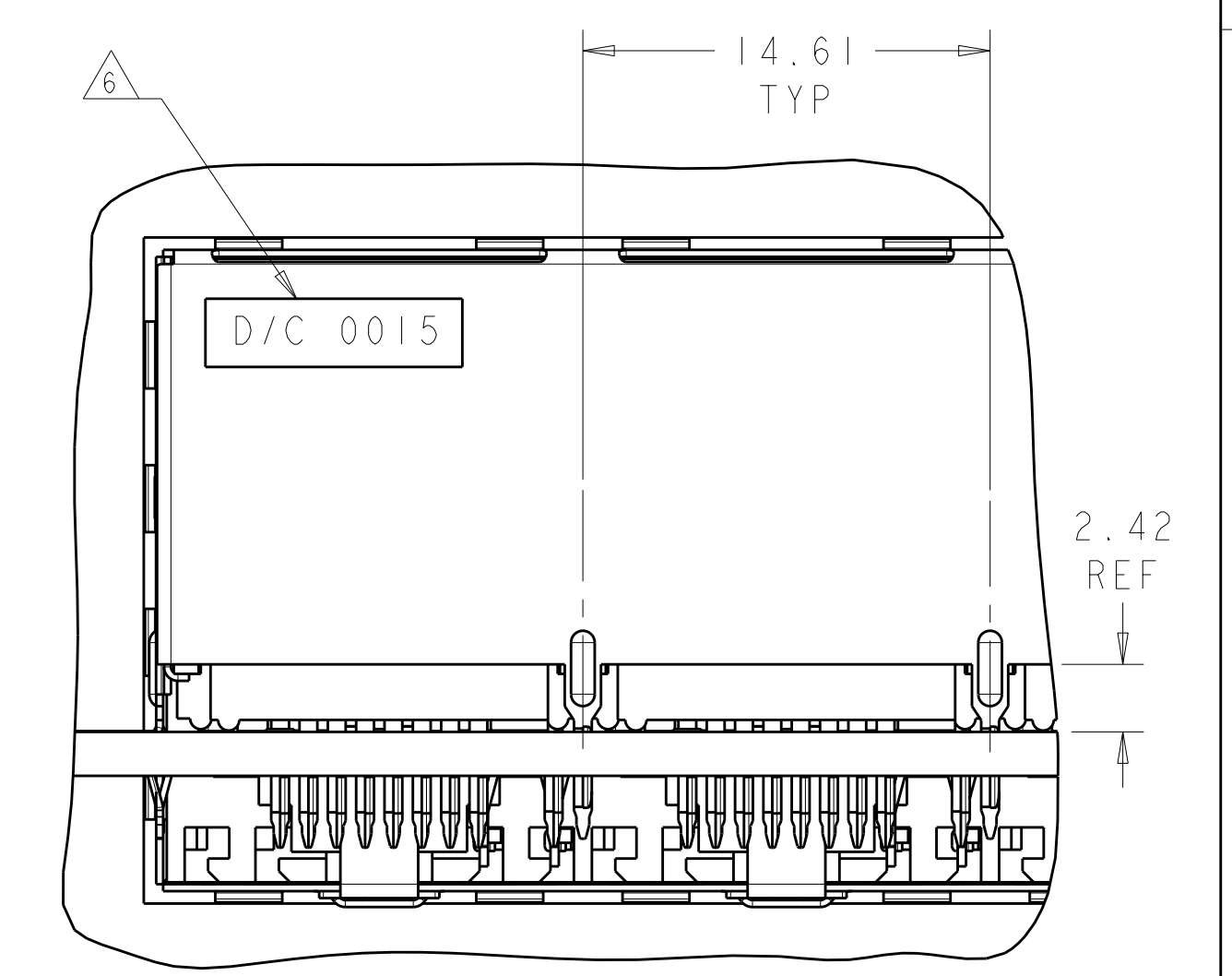
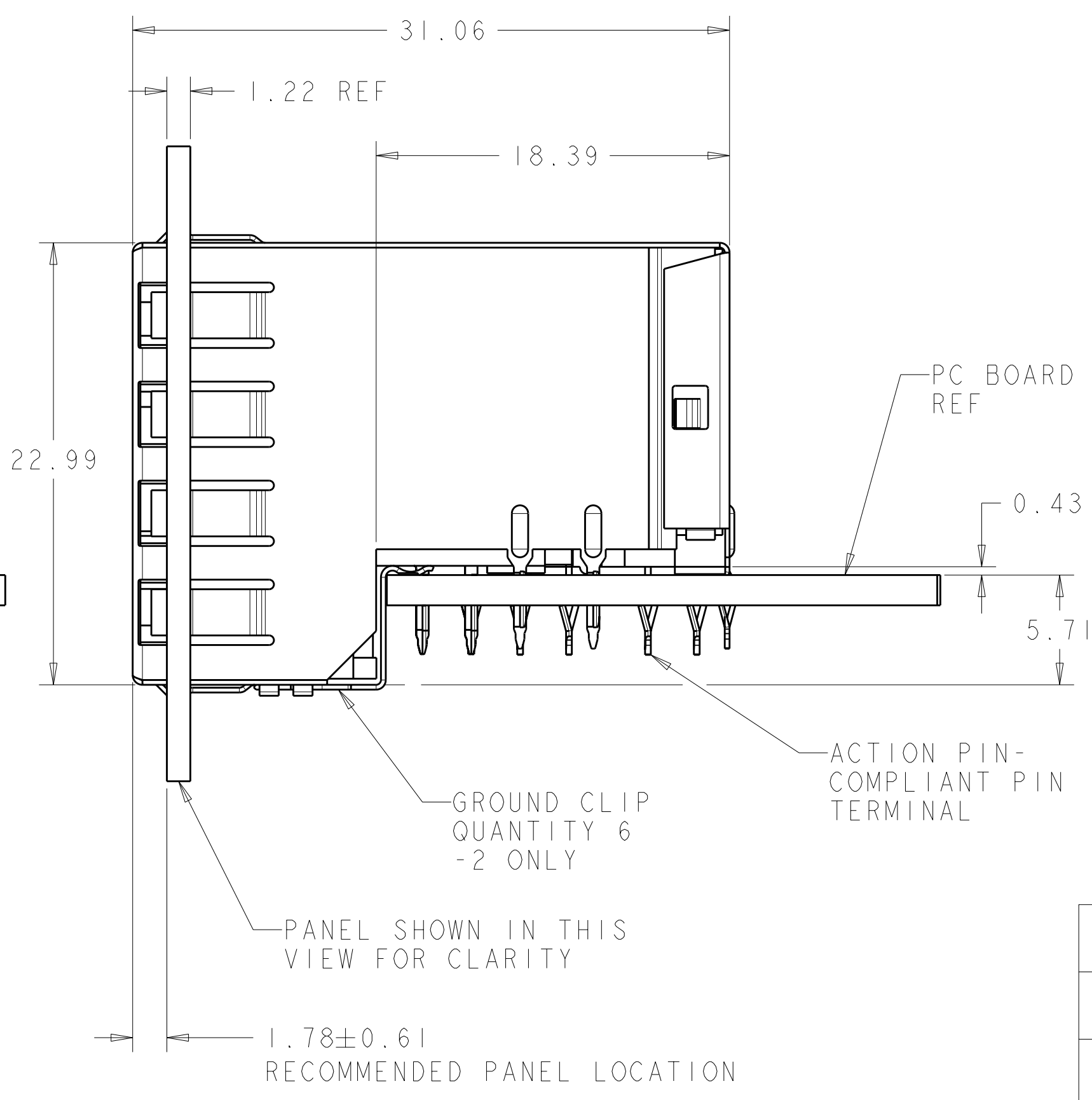
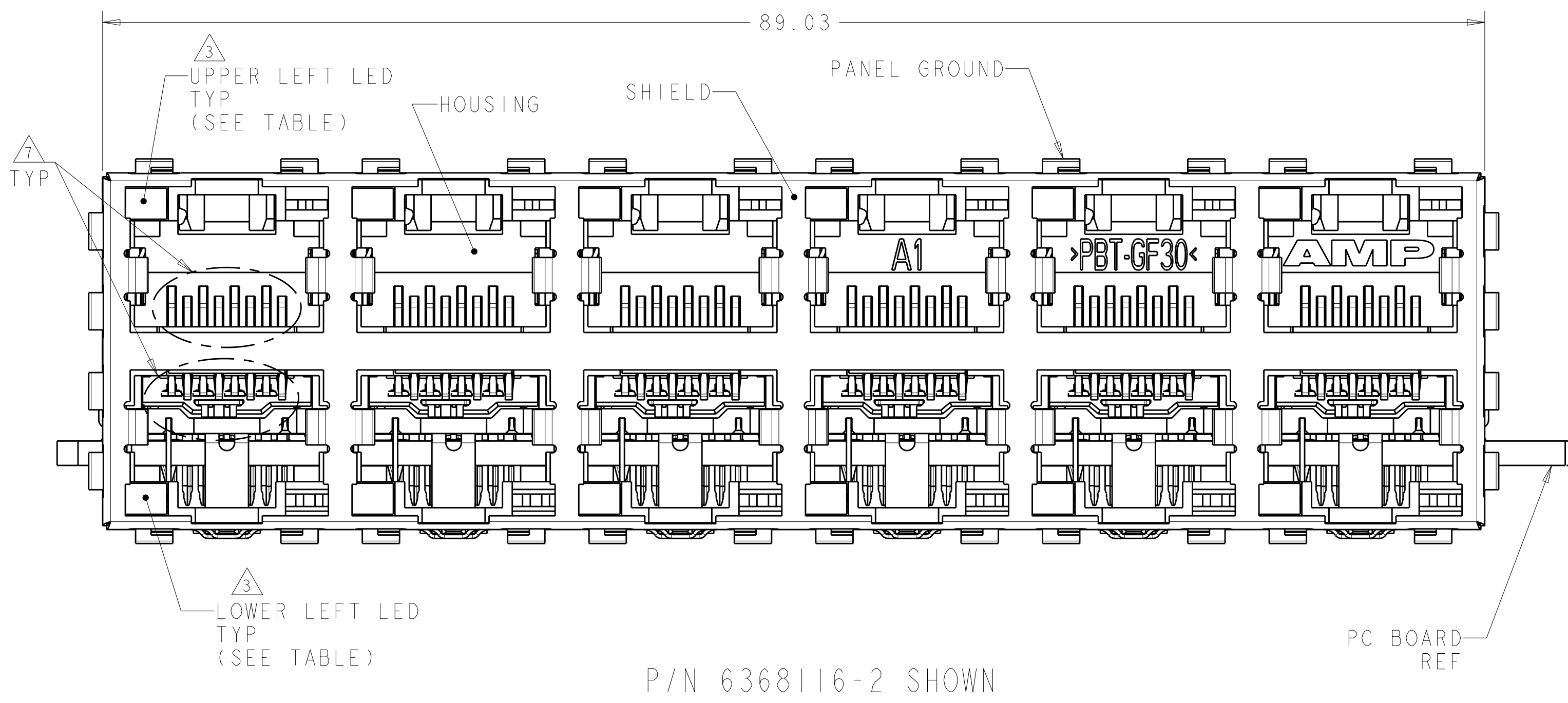


LOC	DIST	REVISIONS			
P	LTR	DESCRIPTION	DATE	DWN	APVD
AA	22				
B		ECO-06-003155	22FEB2006	LAM	JW
C		ECR-08-028613	12NOV2006	JY	SY



- MATERIAL:
 HOUSING:
 PBT POLYESTER, BLACK, UL 94V-0.
 TERMINALS:
 0.33 THICK PHOSPHOR BRONZE PLATED WITH 1.27µm MINIMUM THICK HARD GOLD IN LOCALIZED AREA AND 2µm MINIMUM THICK MATTE TIN IN ACTION PIN COMPLIANT PIN TERMINAL AREA OVER 1.27µm MINIMUM THICK NICKEL UNDERPLATE.
 SHIELD:
 0.25 THICK COPPER ALLOY PLATED WITH 2.03µm MINIMUM BRIGHT TIN OVER 1.27µm MINIMUM NICKEL.
 LIGHT EMITTING DIODE (LED):
 DIFFUSED EPOXY LENS, 0.51 CARBON STL WIREFRAME LEADS PREPLATED WITH 8.89 µm THICK TIN/COPPER OVER 2.03 µm THICK SILVER OVER 1.02 µm THICK COPPER OVER 3.56 µm THICK NICKEL OVER 1.02 µm THICK COPPER UNDERPLATE
 LED ACTION PIN - COMPLIANT PIN CONTACTS 0.3 THICK BRASS PLATED WITH 2-4µm BRIGHT TIN.
 - JACK CAVITY CONFORMS TO FCC RULES AND REGULATIONS, PART 68 SUBPART F.
- ③ SUGGESTED OPERATING CURRENT FOR LEDS IS 20 mA
 - ④ DRILLED HOLE DIA = 1.02±.025.
 COPPER THICKNESS = 0.025-0.075.
 TIN THICKNESS = 0.008 MIN.
 - ⑤ DATUMS AND BASIC DIMENSIONS ESTABLISHED BY CUSTOMER
 - ⑥ DATE CODE LOCATED ON REAR OF PART APPROXIMATELY AS SHOWN
 - ⑦ CONTACTS ARE NOT INTENDED TO BE ALIGNED WITH EACH OTHER
 - ⑧ FOR THE PART NUMBER 6368116-4, CONTACT AREA LUBRICATED WITH BELLCORE APPROVED LUBRICANT. TECHNICAL REFERENCE GR-1217-CORE, ISSUE 1, NOVEMBER 1995.

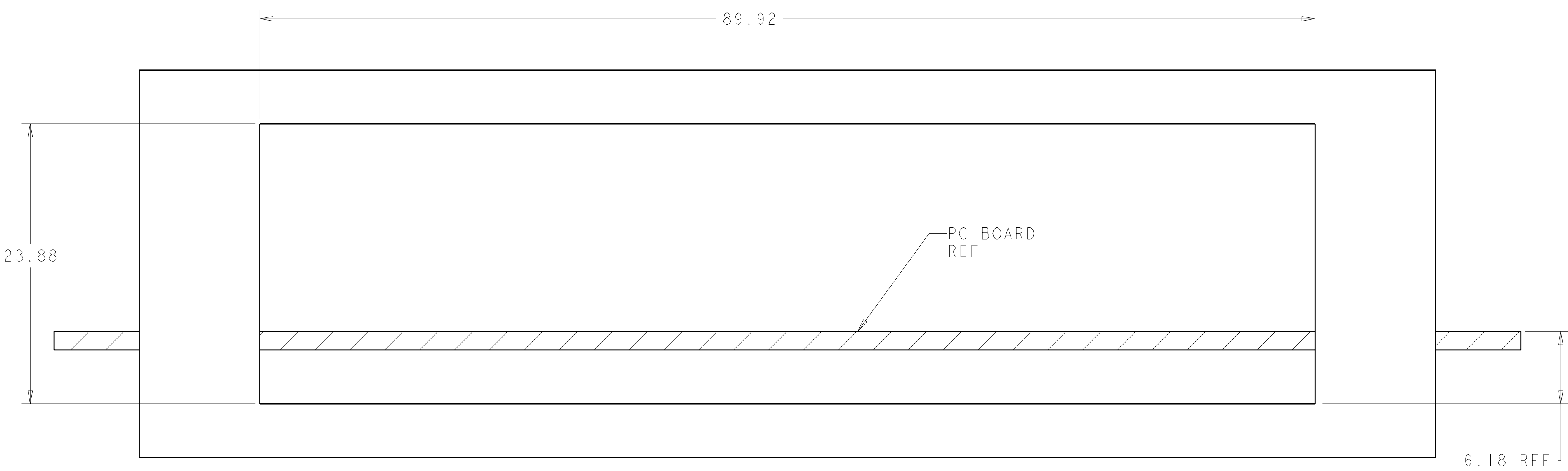


LED COLOR	DESCRIPTION	PART NUMBER
GREEN	RIGHT HAND LEDS ONLY	6368116-4 ⑧
YELLOW/GREEN	LEFT HAND LEDS ONLY	6368116-3
GREEN	LEFT HAND LEDS WITH GROUND CLIPS	6368116-2
GREEN	LEFT HAND LEDS ONLY	6368116-1

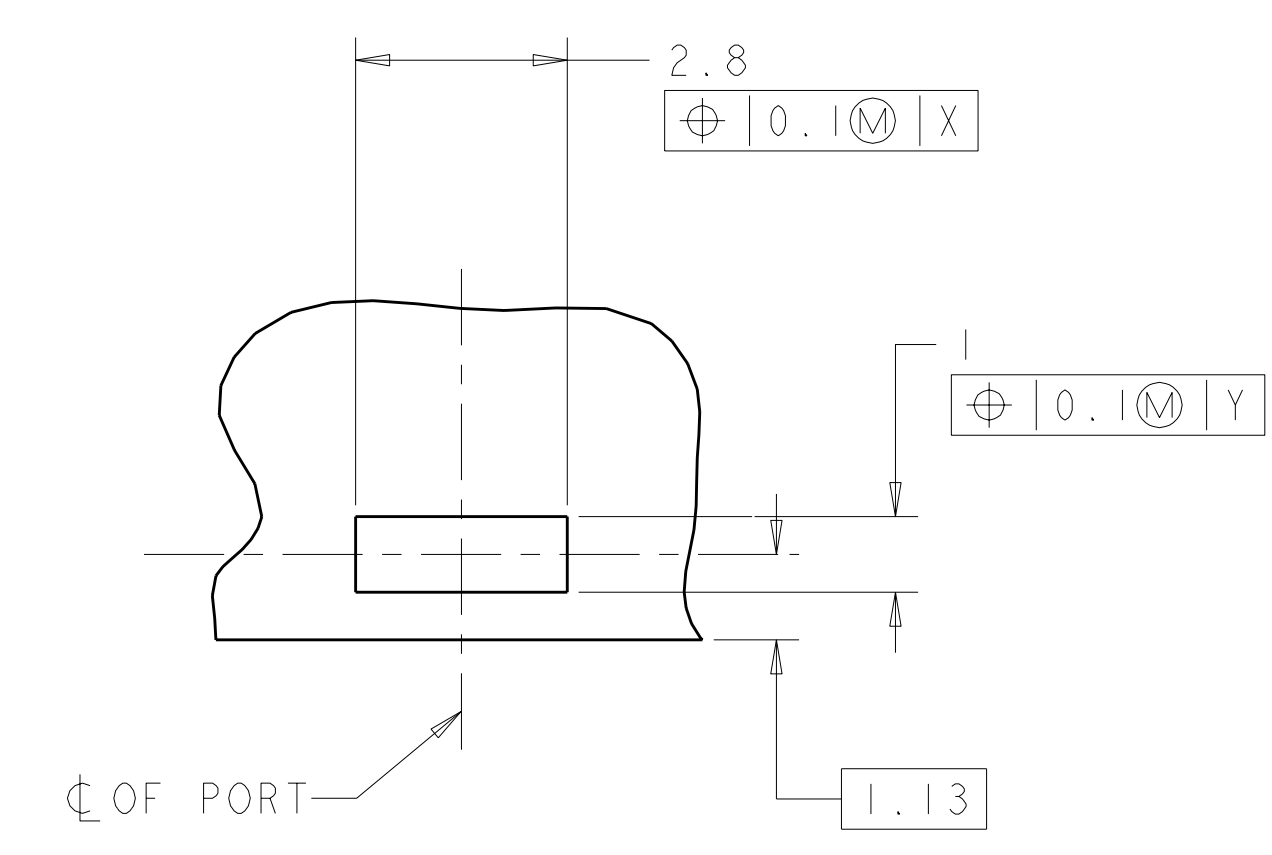
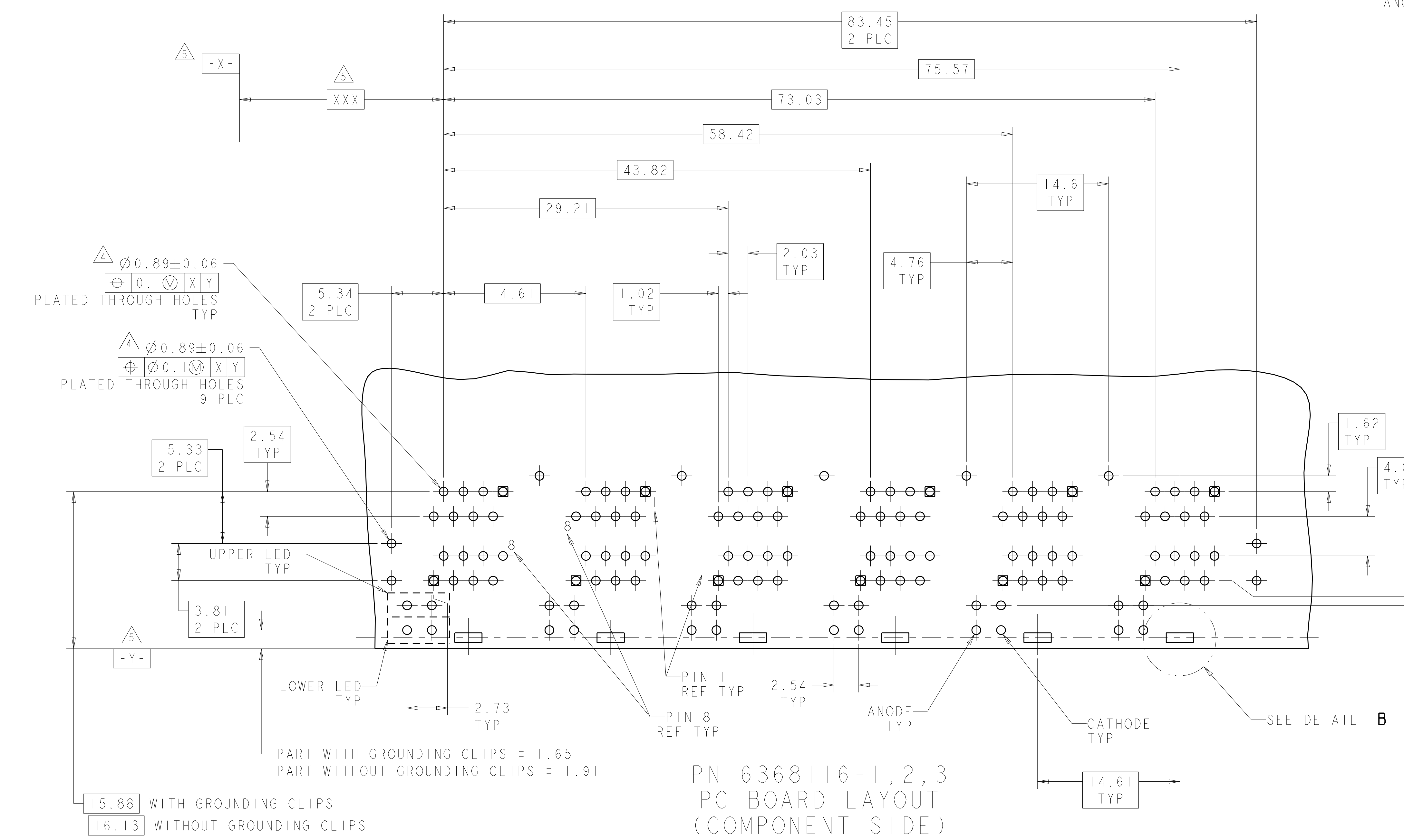
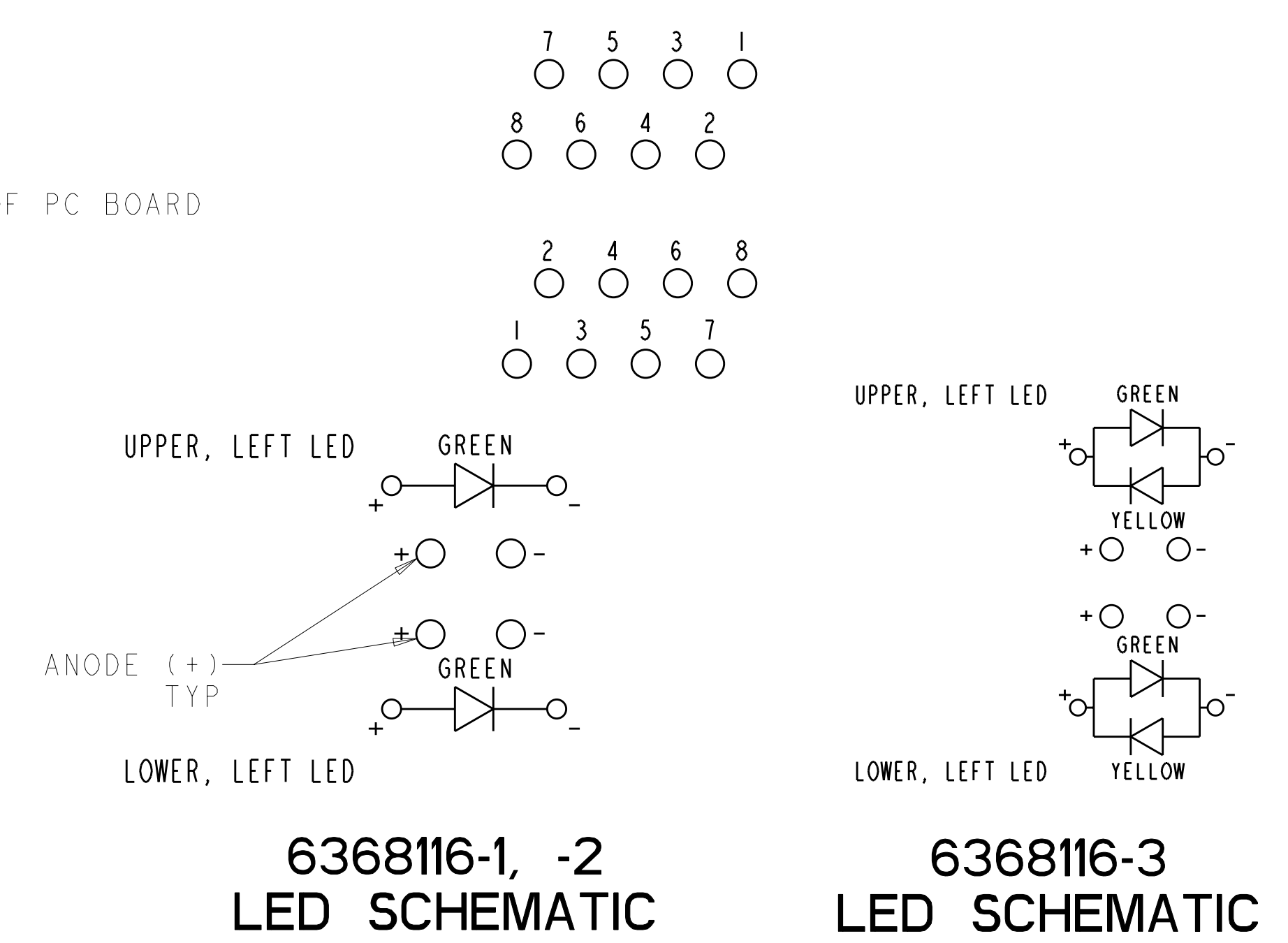
DIMENSIONS: mm 		TOLERANCES UNLESS OTHERWISE SPECIFIED: 9 PLC ± 1 PLC ±0.1 2 PLC ±0.13 3 PLC ± 4 PLC ± ANGLES ±1°		DWN: A. FERNANDEZ 27JUL2005 CHK: J. WESTMAN 27JUL2005 APVD: S. FLICKINGER 27JUL2005 NAME: OFFSET STACKED MOD JACK ASSEMBLY 2 X 6, 8 POSITION, RJ45, SHIELDED, PANEL GROUND, WITH LEFT LED, CAT 5 PRODUCT SPEC: 108-1854 APPLICATION SPEC: 114-2160 WEIGHT: - CUSTOMER DRAWING		Tyco Electronics Corporation Harrisburg, PA 17105-3608 SCALE: 4:1 SHEET 1 OF 3 REV C	
--------------------	--	--	--	--	--	--	--

LOC	DIST	REV	DATE	BY	APPD
AA	22				

REVISIONS		DATE	BY	APPD
1	SEE SHEET 1			



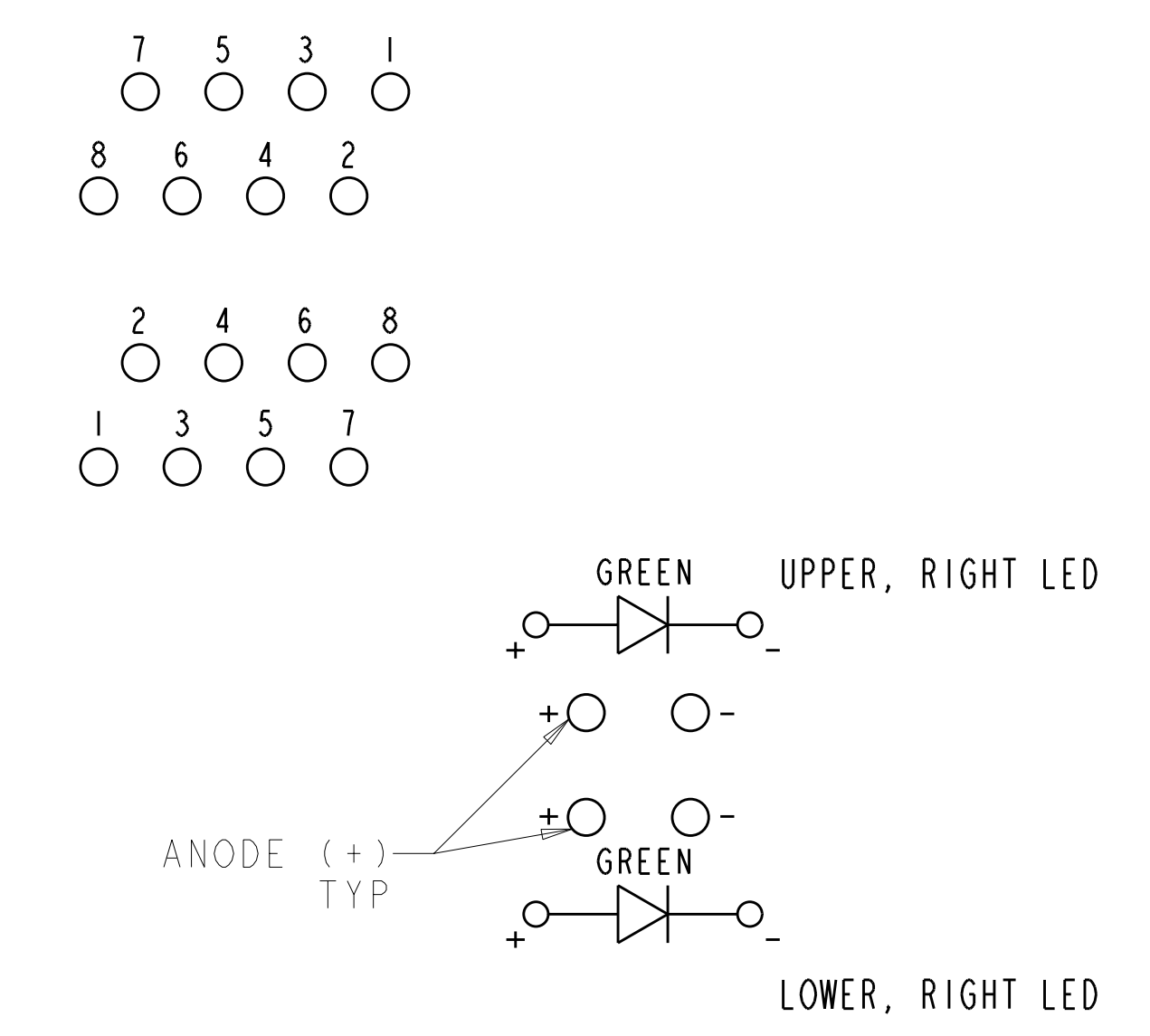
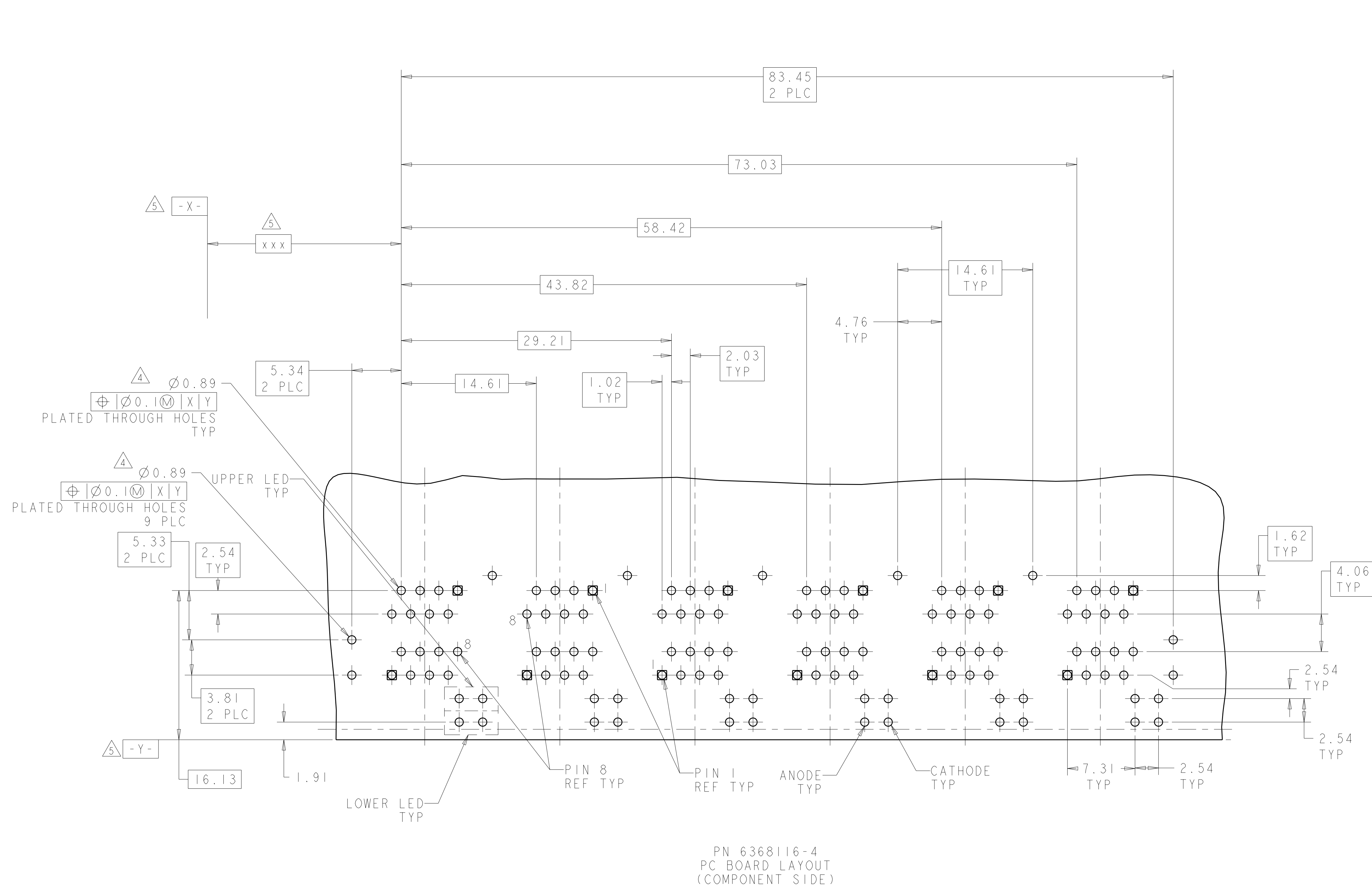
RECOMMENDED PANEL CUT-OUT



DETAIL B
 THESE PLATED PADS REQUIRED FOR 6368116-2
 PRODUCT WITH GROUNDING CLIPS
 SCALE 10:1
 6 PLACES

DIMENSIONS: mm 		TOLERANCES UNLESS OTHERWISE SPECIFIED: 9 PLC ± 1 PLC ±0.1 2 PLC ±0.13 3 PLC ± 4 PLC ± ANGLES ± FINISH SEE NOTE 1		DWN A. FERNANDEZ 27JUL2005 CHK J. WESTMAN 27JUL2005 APVD S. SLICKINGER 27JUL2005 PRODUCT SPEC 108-1854 APPLICATION SPEC 114-2160 WEIGHT CUSTOMER DRAWING		Tyco Electronics Corporation Harrisburg, PA 17105-3608 NAME OFFSET STACKED MOD JACK ASSEMBLY 2 X 6, 8 POSITION, RJ45, SHIELDED, PANEL GROUND, WITH LEFT LED, CAT 5 SIZE CAGE CODE DRAWING NO A1100779C=6368116 SCALE 4:1 SHEET 2 OF 3 REV C	
-----------------------	--	---	--	--	--	--	--

LOC	DIST	REV	DATE	BY	APPD
AA	22	1			
		DESCRIPTION		DATE	BY
		SEE SHEET 1			



**6368116-4
LED SCHEMATIC**

PN 6368116-4
PC BOARD LAYOUT
(COMPONENT SIDE)

<small>THIS DRAWING IS UNPUBLISHED. RELEASED FOR PUBLICATION BY TYCO ELECTRONICS CORPORATION, ALL RIGHTS RESERVED.</small>		DWN: 27 JUL 2005 CHK: A. FERNANDEZ - DOCKES J. WESTMAN S. FLICKINGER	Tyco Electronics Corporation Harrisburg, PA 17105-3608
DIMENSIONS: mm 	TOLERANCES UNLESS OTHERWISE SPECIFIED: 9 PLC ± 1 PLC ±0.1 2 PLC ±0.13 3 PLC ± 4 PLC ± ANGLES ±1°	NAME: OFFSET STACKED MOD JACK ASSEMBLY 2 X 6, 8 POSITION, RJ45, SHIELDED, PANEL GROUND, WITH LEFT LED, CAT 5 PRODUCT SPEC: 108-1854 APPLICATION SPEC: SIZE: 114-2160 WEIGHT:	RESTRICTED TO: CUSTOMER DRAWING SCALE: 4:1 SHEET: 3 OF 3 REV: C
MATERIAL: SEE NOTE 1	FINISH: SEE NOTE 1	A100779C=6368116 CUSTOMER DRAWING	