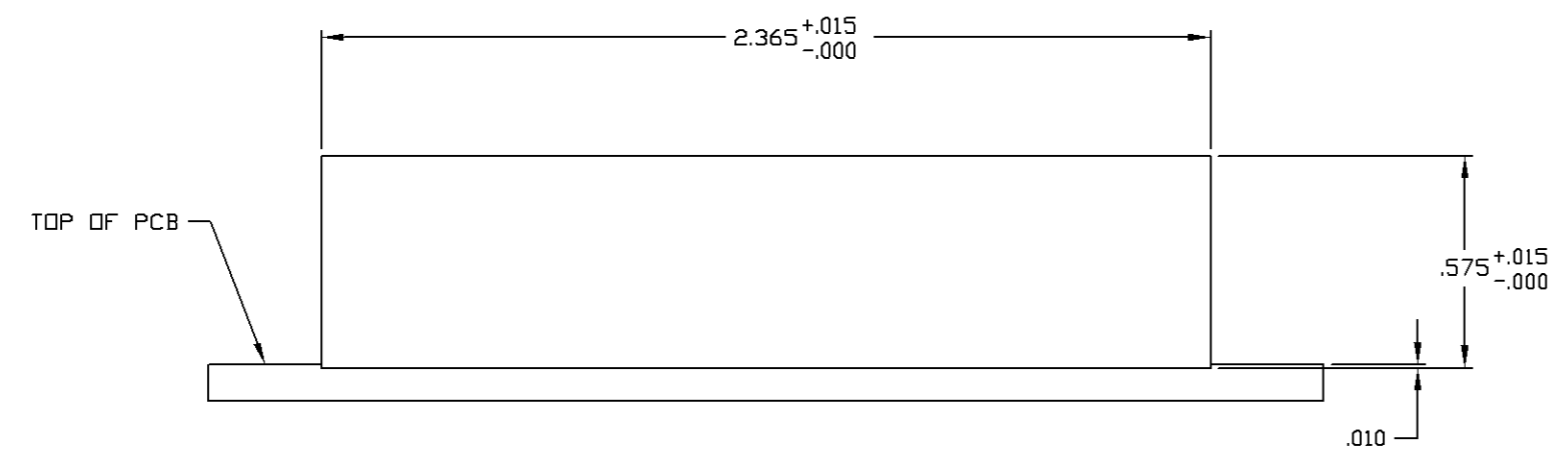
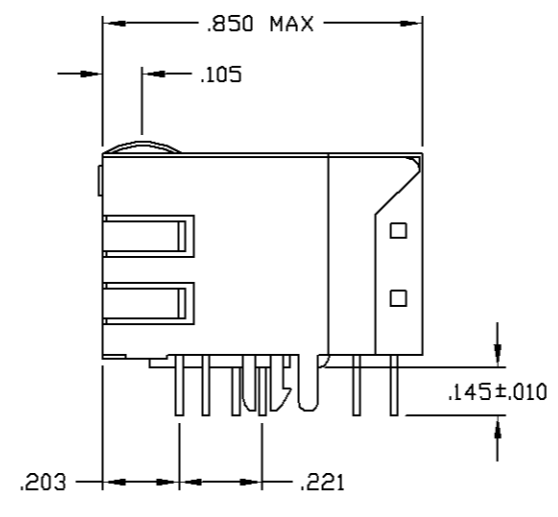
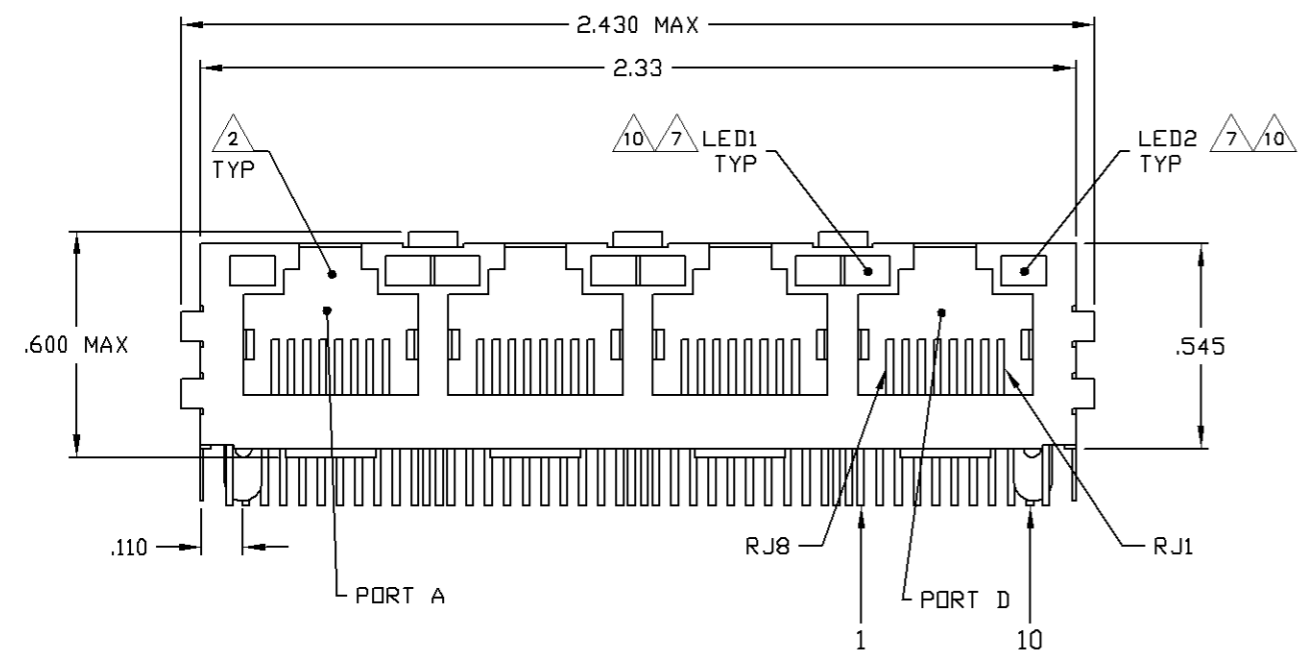
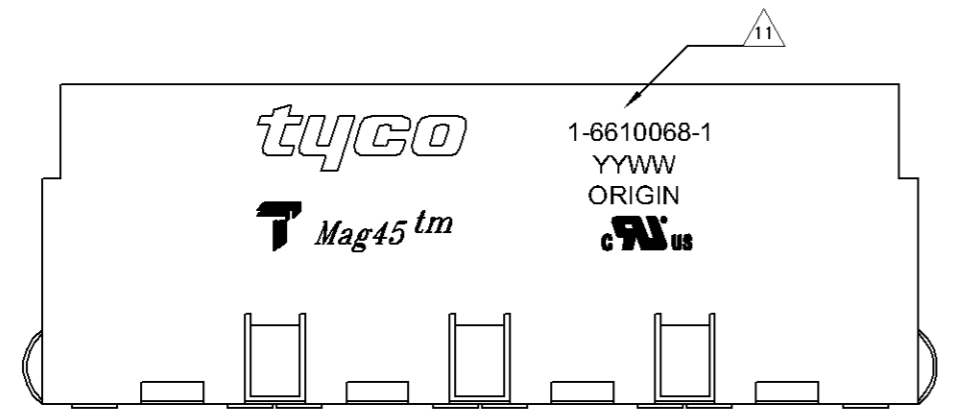


THIS DRAWING IS UNPUBLISHED. RELEASED FOR PUBLICATION BY TYCO ELECTRONICS CORPORATION. ALL RIGHTS RESERVED.

LOC		REV		REVISIONS			
AA	22	F	LTR	DESCRIPTION	DATE	BY	APP
		F		REV PER ECO-07-013105	SUN0407	CZ	TX

MECHANICAL:



1X4 SUGGESTED PANEL CUTOUT

- 1 MATERIALS:
 - HOUSING - THERMOPLASTIC PET POLYESTER FLAMMABILITY RATING UL 94V-0
 - SHIELD - .010" THICK, C26800 BRASS PREPLATED WITH 30μINCH MIN SEMI-BRIGHT NICKEL. SOLDER TABS POST DIPPED WITH 100μINCH MIN SAC SOLDER.
 - MOD JACK CONTACTS - 0.0157 X 0.018" PHOSPHOR BRONZE, 50μINCH MIN OVERALL NICKEL UNDERPLATE WITH SELECT 50μINCH MIN HARD GOLD FINISH PLATE. SOLDER TAILS WITH 100μINCH MIN MATTE TIN AND/OR SAC SOLDER DIP.
 - LIGHT EMITTING DIODE(LED) - DIFFUSED EPOXY LENS, .020" X .020" CARBON STEEL WIREFRAME LEADS PRE-PLATED WITH 80μINCH SILVER OVER 40μINCH NICKEL UNDERPLATE OVER 40μINCH COPPER UNDERPLATE. POST-PLATED WITH 100μINCH MIN MATTE TIN AND/OR SAC SOLDER DIP OR PURE TIN SOLDER DIP.
- 2 RJ45 JACK CAVITY CONFORMS TO FCC RULES AND REGULATIONS PART 68, SUB PART F.
- 3 MAGNETICS
 - APPLICATION: 10/100/1000 BASE-T
 - IMPEDANCE: 100 OHMS
 - TURNS RATIO (CHIP-CABLE): 1:1 ALL FOUR PAIRS
 - OPEN CIRCUIT INDUCTANCE (OCL): 350nH MIN @100kHz, 0.1VRMS, 8mADC BIAS FROM 0°C TO 70°C, ALL FOUR PAIRS
 - ALL FOUR PAIRS BI-DIRECTIONAL
 - PERFORMANCE @ 25°C:
 - INSERTION LOSS (IL): 1.1dB MAX FROM 0.5MHz TO 100MHz
 - RETURN LOSS (RL): 18dB MIN FROM 0.5MHz TO 40MHz
 - 12-20LOG(f/80)dB MIN FROM 40.1MHz TO 100MHz
 - CROSSTALK ATTENUATION: 35dB MIN FROM 0.5MHz TO 40MHz
 - 33-20LOG(f/50)dB MIN FROM 40.1MHz TO 100MHz
 - COMMON MODE REJECTION RATIO (CMRR): 30dB MIN FROM 0.5MHz TO 100MHz
 - ISOLATION VOLTAGE: COMPLIES WITH IEEE802.3 2002, PARA 40.6.1.1, ITEM b.
- 4 C1 IS A 1000pF, 2KV DECOUPLING CAPACITOR.
- 5. OPERATING TEMPERATURE FROM 0° - +70°C
- 6 R1-R4 = 75 OHMS, 1/16 W, 5%
- 7 WHEN OPERATED AT 20 mA, THE 250 OHM LED RESISTORS ARE OPTIONAL, PLEASE SEE CHART FOR PRESENCE OR ABSENCE OF LED RESISTORS.
- 8 C2-C5 = 0.1μF, 50V
- 9 INDICATED MAGNETIC CONNECTIONS ARE SYMMETRICAL TO SUPPORT AUTO-MDI/MDIX.
- 10 LED PEAK WAVELENGTH: GREEN(λ) = 565nm
YELLOW(λ) = 585nm
ORANGE(λ) = 610nm
- 11 TRADEMARK, PART NUMBER, DATE CODE, COUNTRY OF ORIGIN AND AGENCY APPROVAL MARKING IN APPROXIMATE LOCATION SHOWN.

NO	GREEN	NO	GREEN/ORANGE	1-6610068-8
NO	GREEN	NO	GREEN	5-6610068-7
NO	GREEN/YELLOW	NO	GREEN	1-6610068-5
YES	GREEN	YES	GREEN	1-6610068-1
NO	GREEN	NO	YELLOW	6610068-8
NO	GREEN/YELLOW	NO	GREEN/YELLOW	6610068-6
250ohm RESISTOR	LED1	LED RESISTOR	LED2	PART NUMBER

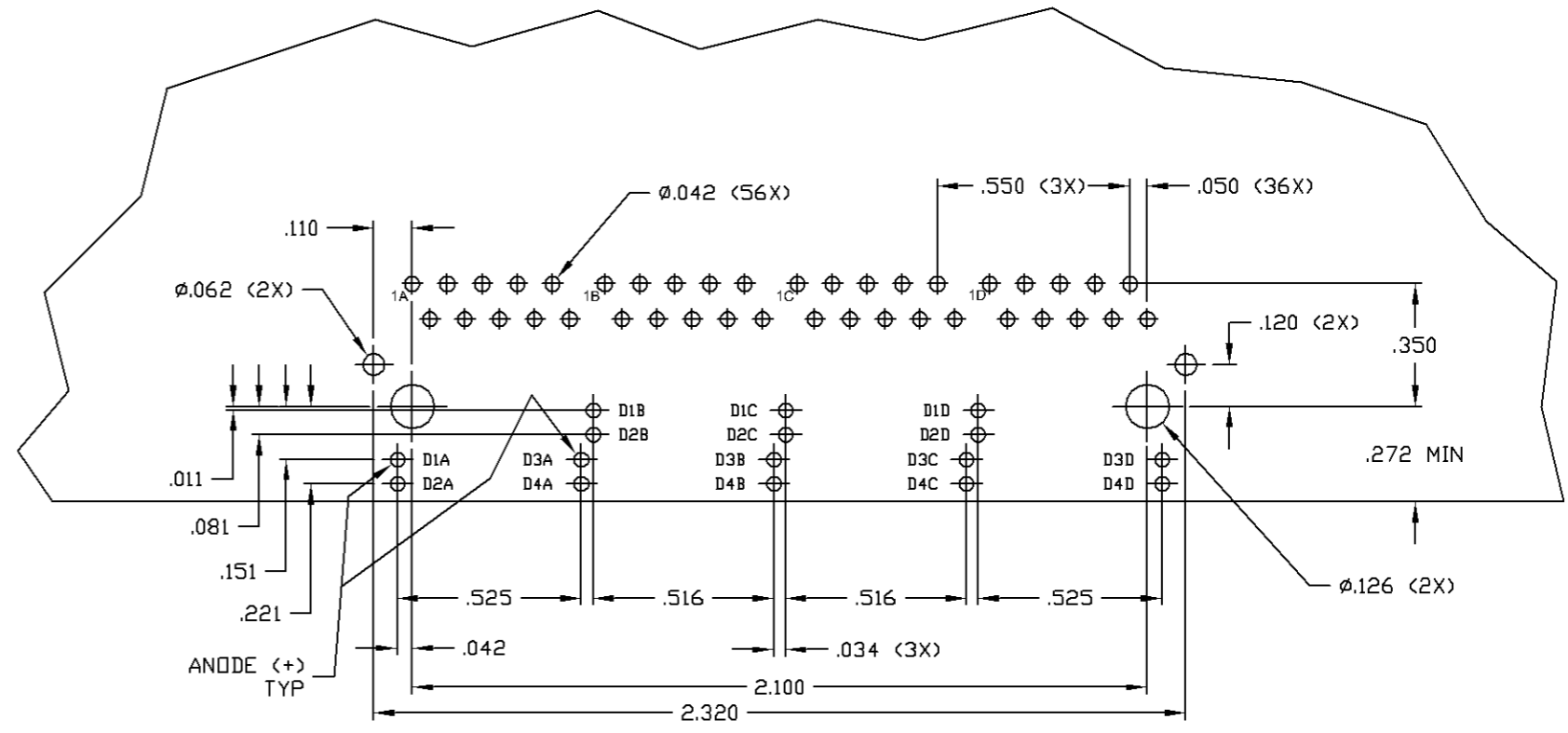
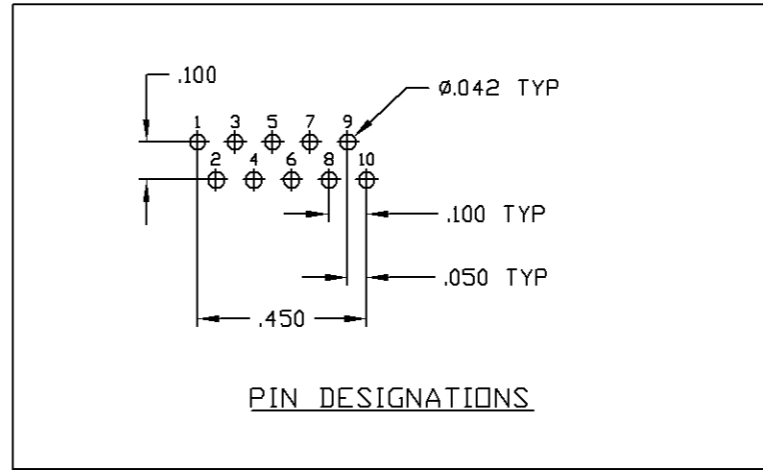
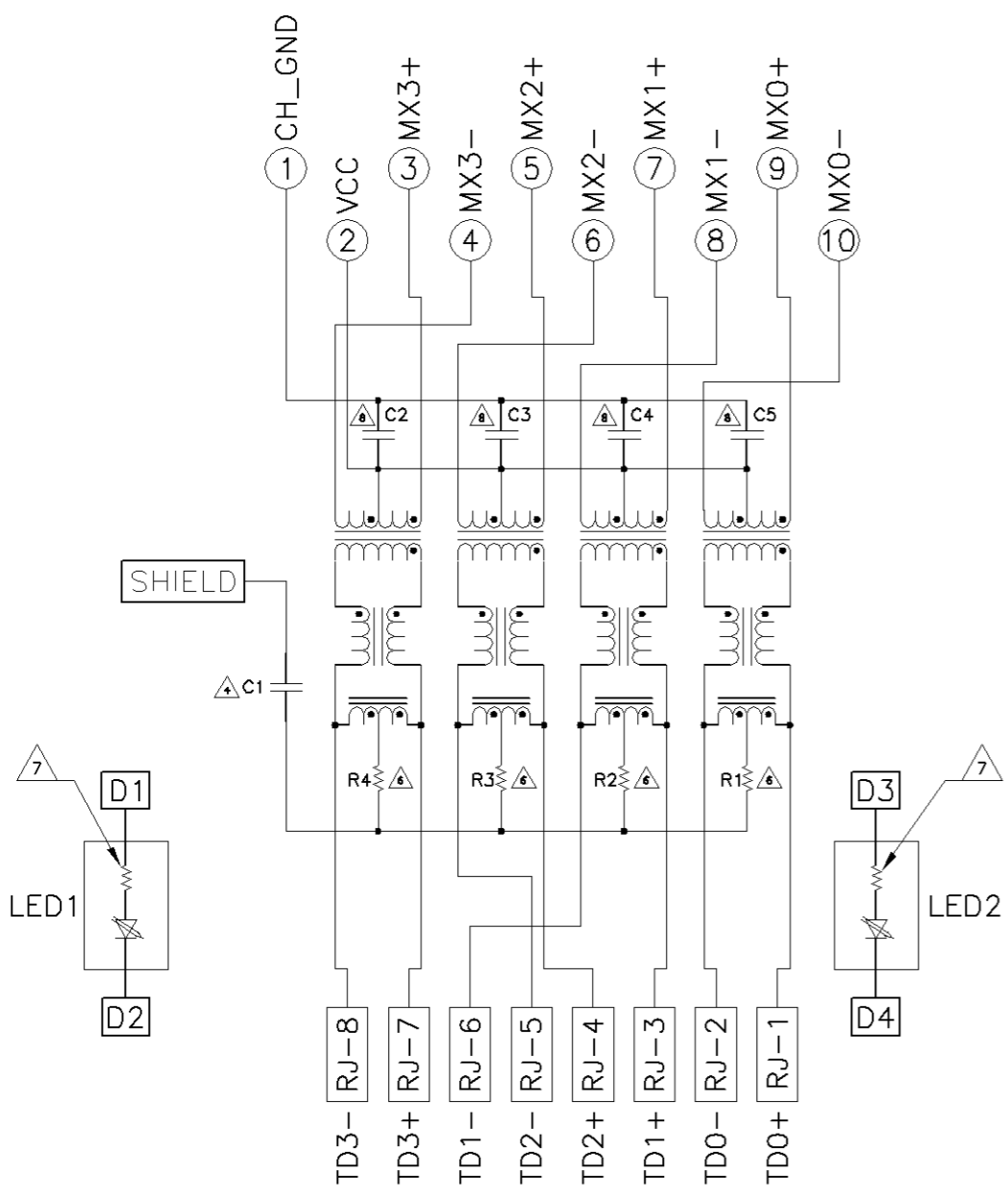
THIS DRAWING IS A CONTROLLED DOCUMENT.

TYCO ELECTRONICS CORPORATION
HARRISBURG, PA 17115-3088

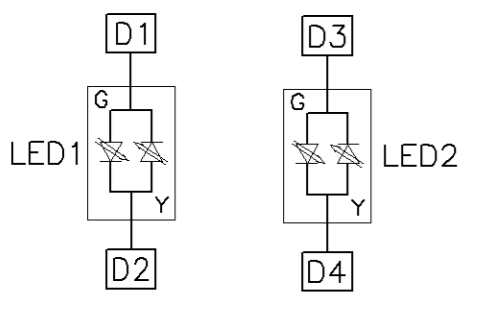
1X4 MAG45ITM MODULAR JACK,
76A SCHEMATIC 110 PIN HORIZONTAL,
05 SERIES GIGABIT CIRCUIT, SHIELDED, WITH LEADS

SCALE 1:1 SHEET 1 OF 2 REV F

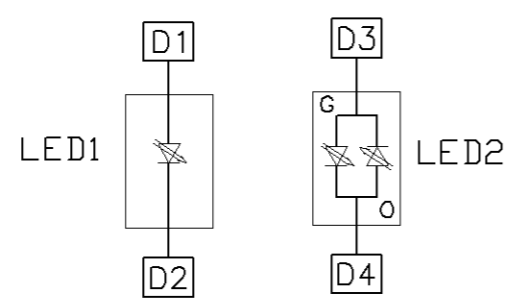
7G05 SERIES GIGABIT CIRCUIT



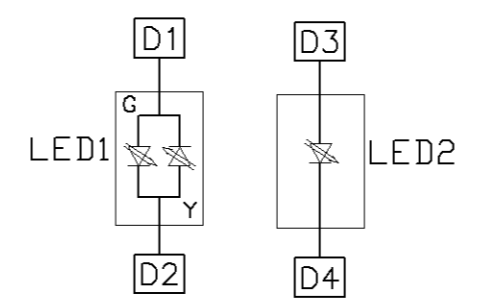
SUGGESTED PCB LAYOUT
(Component Side)



LED CONFIGURATION
FOR 6610068-6 ONLY



LED CONFIGURATION
FOR 1-6610068-8 ONLY



LED CONFIGURATION
FOR 1-6610068-5 ONLY

THIS DRAWING IS A CONTROLLED DOCUMENT.		DRN L. VARELA - DOCKS	DATE 17JAN2005	DESIGNED BY D. FAROLE	DATE 17JAN2005	REVISED BY	DATE	Tyco Electronics Corporation Harrisburg, PA 17105-3608	
DIMENSIONS: INCHES		TOLERANCES UNLESS OTHERWISE SPECIFIED:		PRODUCT SPEC 108-2100		APPLICATION SPEC		SIZE: CASE CODE DRAWING NO. RESTRICTED TO	
0 P.L.C.	± .005	1 P.L.C.	± .010	A1 00779		6610068		SCALE: 1:1 SHEET 2 OF 2 REV F	
2 P.L.C.	± .015	3 P.L.C.	± .020	CUSTOMER DRAWING					
4 P.L.C.	± .030	ANGLES							
MATERIAL		FINISH							