

4

3

2

1

MATERIAL(S) :

Housing body:
Brass Alloy, UNS No. C36000 PER ASTM B-16,
Top body:
6061-T651 Aluminum Alloy

Core HC2 connector:
Spring Pin:
BeCu Alloy/Brass Alloy C3604B/ Phosphor Bronze
Ground Slider & Nut:
Brass Alloy C3604B
Insulator: TPX / PTFE
Dielectric: Ultem/ TPX
Spring: Music Wire
Dowel Pin, Screw & Clip: Stainless Steel.

Cable: UF-77-078-067-020

ELECTRICAL(S) :

Impedance: 50 Ohms Nominal
Frequency Range: DC to 40 GHz
VSWR: 1.25:1 DC to 26 GHz
1.40:1 26 to 40 GHz
Insertion Loss:
1.60 dB DC to 26 GHz
2.04 dB 26 to 40 GHz
Working Voltage: 335 Vrms max @ Sea Level
Test Voltage: 500 Vrms
Insulation Resistance: 5000 MegOhms min.
Contact Current: 1A DC max.
Contact Resistance:
Center Contact: 100 m Ω
Phase: Matched In Pairs @ 2.0 pS.

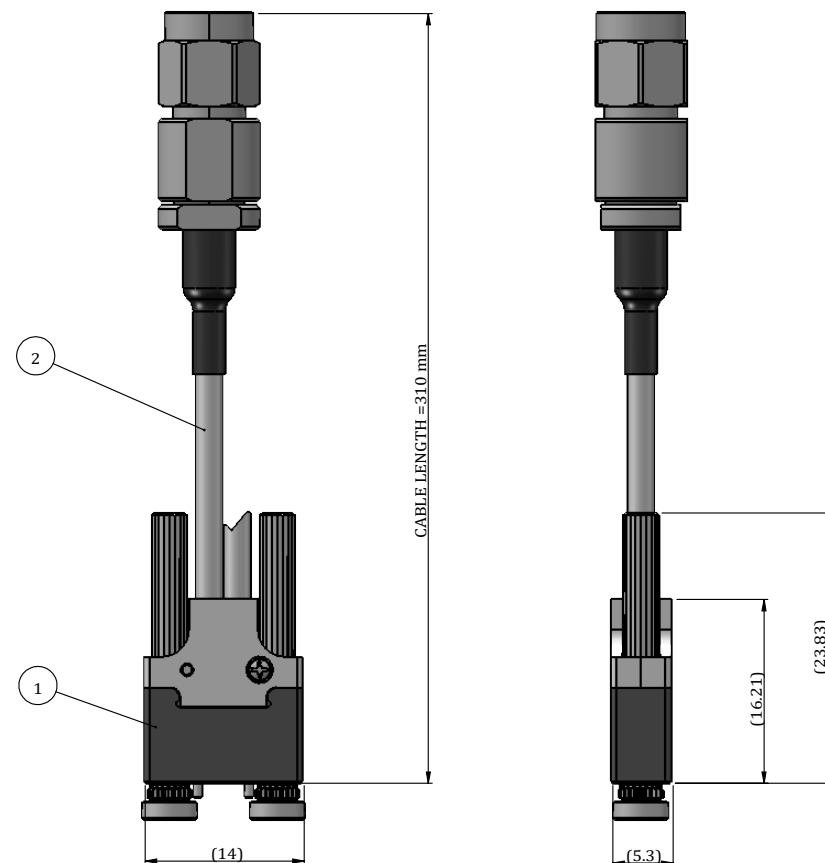
MECHANICAL(S) :

Mating Characteristics:
2.92 Interface per MIL-STD-348
CORE HC2 Interface per CarlisleIT
Force to Engage:
2.92: 2 In-lbs max
CoreHC2 (Individual): .5 Lbs Typ.
Connector Durability:
2.92: 500 Cycles @ 12 cycles/min. max
CoreHC2: 20,000 Cycles @ 12 cycles/min. max
Permeability: Less than 2.0 mu.
Coupling Proof Torque:
2.92: 15 in-lb

ENVIRONMENTAL(S) :

Temperature Range: -65°C to +150°C
Thermal Shock:
MIL-STD-202, Method 107, Test Condition F
Moisture Resistance:
MIL-STD-202, Method 106, Insulation resistance
at least 200 MegaOhms within 5 minutes after
removal from humidity.
Corrosion:
MIL-STD-202, Method 101, Test Condition C
Vibration:
MIL-STD-202, Method 204, Test Condition A,
except 5g Peak
Shock:
MIL-STD-202, Method 213, Test Condition I,
except 10g Peak

REV.	REGION	DESCRIPTION	DATE	BY
A		PRELIMINARY RELEASED	20.Feb.20	Falcon

**NOTE(S):**

1. NUTS TO BE PACKED AND SHIPPED UN-ASSEMBLED WITH FULLY ASSEMBLED CABLE ASSEMBLY.
2. NUTS TO BE PRESS FIT INTO PCB ON CUSTOMER SIDE .
3. CUSTOMER NEED TO USE THUMB SCREW TO LOCK CONNECTOR WITH PCB TIGHTLY .
4. NOMINAL TOLERANCE REFER TO ISO2768-F.
5. CABLE LENGTH TOLERANCE REFER TO ISO2768-V, AND TOLERANCE VALUE MULTIPLIED BY 2.

ITEM	PART NUMBER	DESCRIPTION	MATERIAL	QTY
2	TM7S-H2S-9MS-031	CoreHC 2.5mm TO 2.92(M) ON .079 CABLE , 31 CM	N/A	2
1	TM7S-SH28R	METALLIC HOUSING BUCKET	N/A	1

★ KEY DIMENSION NEED 100% INSPECTION (XX) REF. DIMENSION FOR REF. ONLY	DRAWN: Falcon	CARLISLE INTERCONNECT TECHNOLOGIES	Dongguan City,Guangdong P.R. China 523533		
	CHECKED:		MATERIAL:	PROJECT NAME:	
INFORMATION CONTAINED ON THIS DRAWING IS CONFIDENTIAL AND MAY ALSO CONTAIN PROPRIETARY CARLISLE/CUSTOMER INFORMATION. DRAWING CONTENT IS ONLY INTENDED FOR USE OF THE ABOVE CUSTOMER IF YOU ARE NOT THE INTENDED RECIPIENT OR AUTHORIZED EMPLOYEE OF ABOVE COMPANY NAME, YOU ARE HEREBY NOTIFIED ANY USE, DUPLICATION, RECONSTRUCTION, OR DISTRIBUTION OF DRAWING INFORMATION IS STRICTLY PROHIBITTED.	APPROVED:	PART NUMBER: TM7S-SH2S-9MS-031	CoreHC 079 Assy, 1xRow HC2 2CH to 2.92(M), 31cm, Metallic Housing		
		SIZE A4		PART NAME: FINISHED GOODS ASSY	REVISION: A
		SCALE 3:2	DO NOT SCALE DRAWING		DATA: 20.Feb.20
				SHEET 1 OF 1	

ISO2768-V (mm)					
6~30	30-120	120~400	400~1K	1K~2K	>2K
±1	±1.5	±2.5	±4	±6	±8
ISO2768-F (mm)					
0.5~3	3~6	6~30	30~120	120~400	400~1000
±0.05	±0.05	±0.1	±0.1	±0.2	±0.3

4

3

2

1