


**Description**

- LVPECL output oscillator using a high frequency fundamental crystal to give very low jitter, hermetically sealed in a ceramic package with a seam sealed metal lid
- Standby on pad 1, pad 2 N/C
- Model CFPS-34
- Model Issue number 5

**Frequency Parameters**

- Frequency 155.520MHz
- Frequency Stability  $\pm 100.00\text{ppm}$
- Operating Temperature Range  $-10.00$  to  $70.00^\circ\text{C}$
- Ageing  $\pm 2\text{ppm}$  max per year

**Electrical Parameters**

- Supply Voltage  $3.3\text{V} \pm 5\%$
- Current Draw  $60.00\text{mA}$

**Output Details**

- Output Compatibility LVPECL
- Drive Capability  $50\Omega$  terminated to  $V_s - 2.0\text{V}$
- Rise and Fall Time  $1.0\text{ns}$  max
- Duty Cycle  $40/60\%$

**Output Control**

- Logic '1' ( $>70\%$   $V_s$ ) to pad 1 enables oscillator output  
Logic '0' ( $<30\%$   $V_s$ ) to pad 1 disables oscillator output; the oscillator output goes to the high impedance state  
No connection to pad 1 enables oscillator output
- Stand-by Current:  $30\mu\text{A}$  max
- Start Up Time:  $10\text{ms}$  max

**Output Levels**

- '0' Level  $V_{oL}$ :  $+1.7\text{V}$  max
- '1' Level  $V_{oH}$ :  $+2.2\text{V}$  min

**Noise Parameters**

- Phase Jitter (12kHz to 20MHz):  $1\text{ps}$  rms max

**Environmental Parameters**

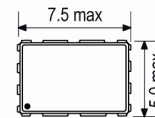
- Storage Temperature Range:  $-55$  to  $125^\circ\text{C}$
- Shock: MIL-STD-202F, Method 213B:  $1000\text{G}$ ,  $0.5\text{ms}$ ,  $1/2$  sine wave
- Vibration: MIL-STD-202F, Method 204D, Test Condition D:  $20\text{G}$  ( $10\text{Hz}$ - $2000\text{Hz}$ ),  $4\text{hrs}$  in 3 mutually perpendicular planes (total  $12\text{hrs}$ )

**Compliance**

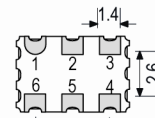
- RoHS Status (2011/65/EU) Compliant
- REACH Status Compliant
- MSL Rating (JDEC-STD-033): Not Applicable

**Packaging Details**

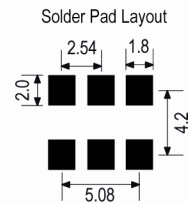
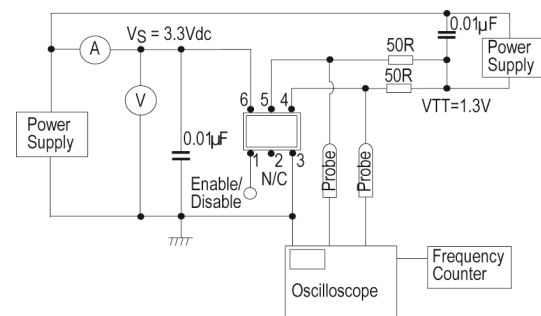
- Pack Style: Bulk Loose in bulk pack
- Pack Size: 100
- Alternative packing option available


**Outline (mm)**


- Pad Connections
- Standby Operation
  - N/C
  - GND
  - Output 1
  - Output 2
  - $+V_s$



Underside View


**Test Circuit**

**Sales Office Contact Details:**

UK: +44 (0)1460 270200

Germany: 0800 1808 443

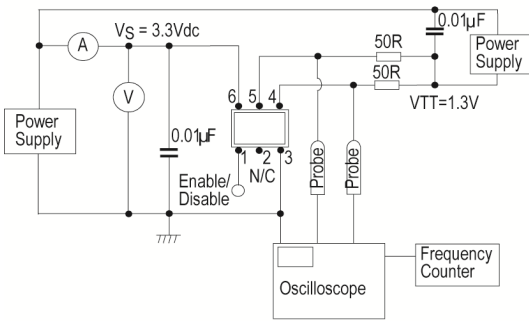
France: 0800 901 383

USA: +1.760.318.2824

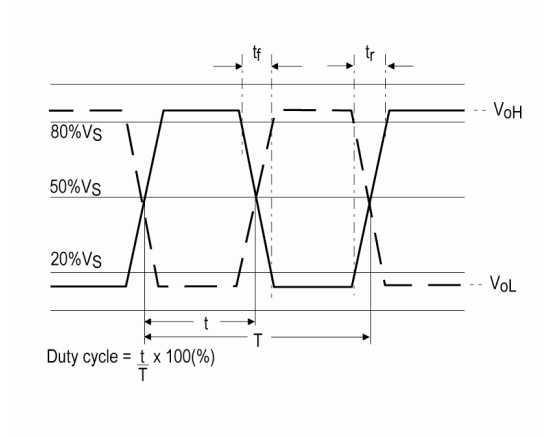
 Email: [info@iqdfrequencyproducts.com](mailto:info@iqdfrequencyproducts.com)

 Web: [www.iqdfrequencyproducts.com](http://www.iqdfrequencyproducts.com)

**Test Circuit**



**Wave Form**



**Sales Office Contact Details:**

UK: +44 (0)1460 270200  
 Germany: 0800 1808 443

France: 0800 901 383  
 USA: +1.760.318.2824

Email: [info@iqdfrequencyproducts.com](mailto:info@iqdfrequencyproducts.com)  
 Web: [www.iqdfrequencyproducts.com](http://www.iqdfrequencyproducts.com)