

Customer Part:



Description

- 5 x 3.2mm crystal oscillator
Ceramic package with a seam sealed metal lid, hermetically sealed
- Model **CFPS-9**
- Model Issue number **9**
- Note: please be aware that devices supplied against this model may show slight cosmetic differences depending upon the frequency and specification, however all electrical details remain as per the model specification.

Frequency Parameters

- Frequency **12.0MHz**
- Frequency Stability **±50.00ppm**
- Operating Temperature Range **-40.00 to 85.00°C**
- Ageing **±5ppm max per year @ 25°C**

Electrical Parameters

- Supply Voltage **3.3V ±10%**
- Current Draw **12.000mA**

Output Details

- Output Compatibility **CMOS**
- Drive Capability **15pF max**
- Rise and Fall Time **10.0ns max**
- Duty Cycle **40/60**
- Start up time: **10ms max**

Output Control

- Enable/Disable Operation:
Logic '1' (>70% VS) to pad 1 enables oscillator output
Logic '0' (<30% VS) to pad 1 disables oscillator output; when disabled the oscillator output goes to the high impedance state
No connection to pad 1 enables oscillator output
Standby Current: **10µA max**

Environmental Parameters

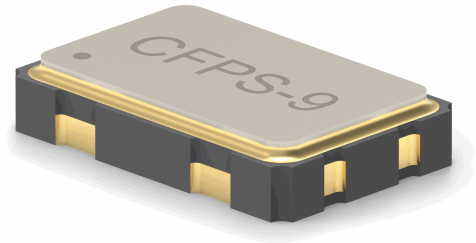
- Storage Temperature Range: **-55 to 125°C**
- Shock: Half Sine shock pulse with peak acceleration **500g**;
Pulse duration: **0.3ms**
- Vibration: MIL-STD-202 Method 204. **5g** for 20 minutes, 12 cycles in each of the 3 orientations, 10 - 2000 Hz. As per Table 11 of AEC-Q200.

Manufacturing Details

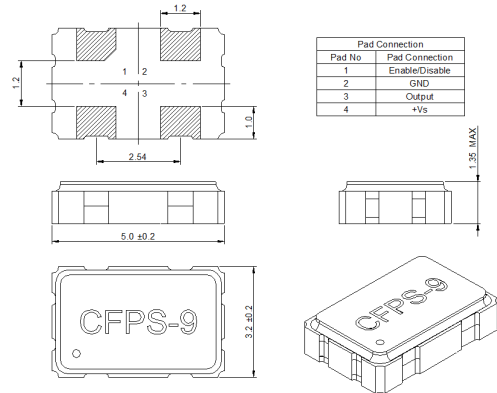
- RoHS Terminations **NiAu**
- RoHS Reflow Temp **260°C 10s max**

Compliance

- RoHS Status (2015/863/EU) **Compliant**
- REACH Status **Compliant**
- MSL Rating (JDEC-STD-033): **Not Applicable**

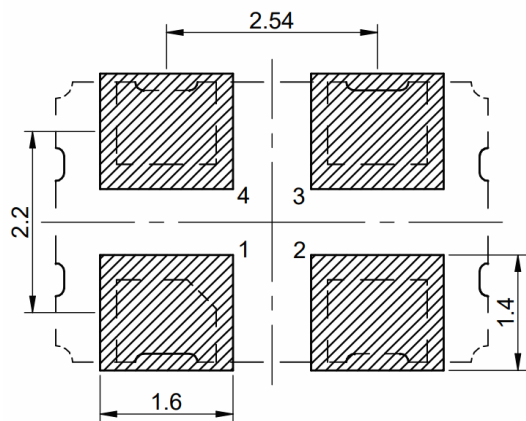


Outline (mm)



NOTE: The shape of pad 1 may differ from the drawing. The device may or may not have side pads. This causes no change on electrical performance of the device.

Recommended Solder Pad Layout



Sales Office Contact Details:

UK: +44 (0)1460 270200

USA: +1 760 668 8935

Email: info@iqdfrequencyproducts.com

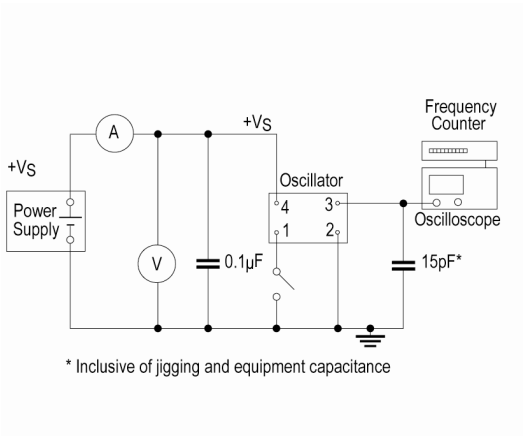
Web: www.iqdfrequencyproducts.com

Customer Part:

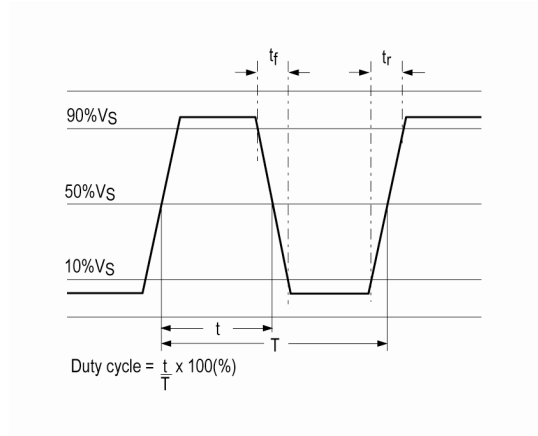
Packaging Details

- Tape & reel in accordance with EIA-481
Quantities below the standard reel size to be supplied on cut tape.
Standard Quantity: 1,000 Pieces

Test Circuit



Waveform



Sales Office Contact Details:

UK: +44 (0)1460 270200

USA: +1 760 668 8935

Email: info@iqdfrequencyproducts.com

Web: www.iqdfrequencyproducts.com