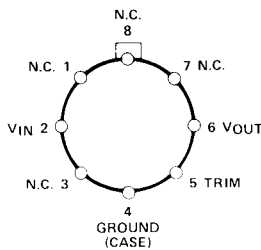


FEATURES

- 10 Volt Output
- Guaranteed Long-Term Stability 50ppm/1000 Hrs Max
- Excellent Temperature Stability 8.5ppm/°C Max
- Low Noise 30 μ V_{p-p} Max
- Low Supply Current 1.4mA Max
- Wide Input Voltage Range 12V to 40V
- High Load-Driving Capability 20mA
- Short-Circuit Proof
- Processed Per MIL-STD-883

PIN CONNECTIONS & ORDERING INFORMATION



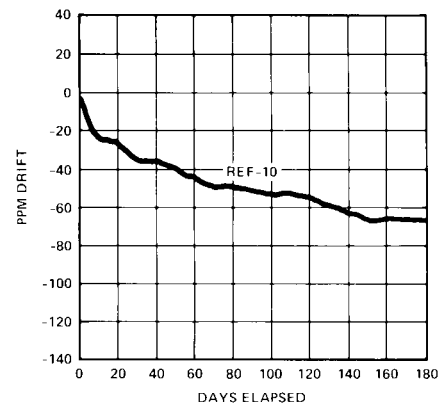
TO-99 (J-Suffix)
REF-10AJ/883
REF-10BJ/883

GENERAL DESCRIPTION

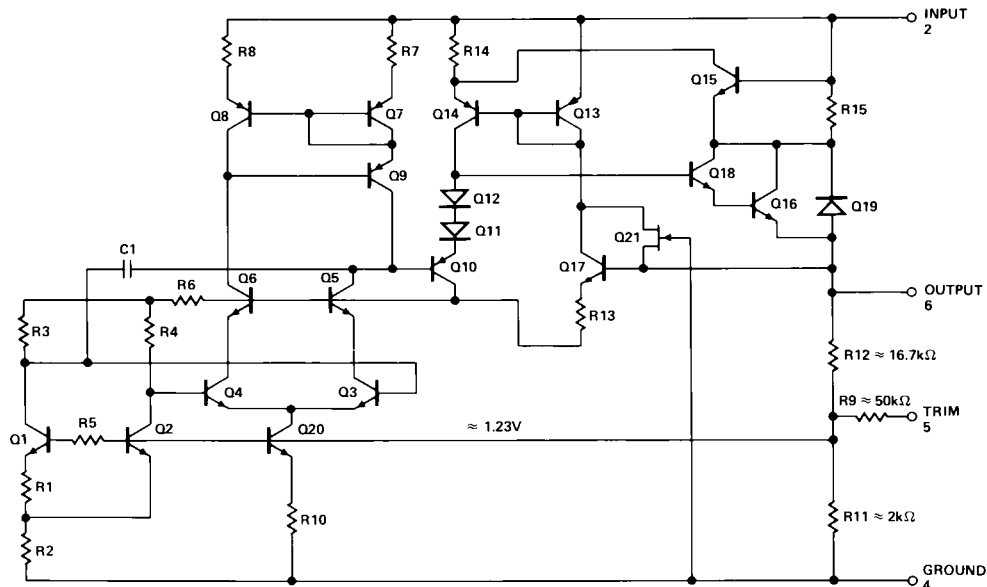
The REF-10 precision voltage reference provides a stable +10V output that can be adjusted over a $\pm 3\%$ range with minimal effect on temperature stability. Long-term drift is

guaranteed at 50ppm/1000 hrs. maximum. Single-supply operation over an input voltage range of 12V to 40V, low current drain of 1 mA, and excellent temperature stability are achieved with an improved bandgap design. Low cost, low noise, and low power make the REF-10 an excellent choice whenever a stable voltage reference is required. Applications include D/A and A/D converters, portable instrumentation, and digital voltmeters. For +5V precision voltage references, see the REF-05 data sheet.

LONG-TERM DRIFT PLOT (Average of 20 Devices)



SIMPLIFIED SCHEMATIC



REV. B

Information furnished by Analog Devices is believed to be accurate and reliable. However, no responsibility is assumed by Analog Devices for its use, nor for any infringements of patents or other rights of third parties which may result from its use. No license is granted by implication or otherwise under a patent or patent rights of Analog Devices.

One Technology Way, P.O. Box 9106, Norwood, MA 02062-9106, U.S.A.
Tel: 617/329-4700 Fax: 617/326-8703 Twx: 710/394-6577
Telex: 924491 Cable: ANALOG NORWOODMASS

REF-10

ABSOLUTE MAXIMUM RATINGS (Note 1)

Input Voltage	
REF-10A, B	40V
Output Short-Circuit Duration (to Ground or V_{IN})	Indefinite
Storage Temperature Range	-65°C to +150°C
Lead Temperature (Soldering, 60 sec)	300°C

Operating Temperature Range

REF-10A, REF-10B -55°C to +125°C

PACKAGE TYPE	θ_{JA} (NOTE 2)	θ_{JC}	UNITS
TO-99 (J)	170	24	°C/W

NOTES:

- Derate at 7.1mW/°C above 80°C ambient temperature for TO-99 package.
- θ_{JA} is specified for worst case mounting conditions, i.e., θ_{JA} is specified for device in socket for TO package.

ELECTRICAL CHARACTERISTICS at $V_{IN} = +15V$, $T_A = 25^\circ C$, unless otherwise noted.

PARAMETER	SYMBOL	CONDITIONS	REF-10A			REF-10B			UNITS
			MIN	TYP	MAX	MIN	TYP	MAX	
Output Voltage	V_O	$I_L = 0$	9.97	10	10.03	9.95	10	10.05	V
Output Adjustment Range	ΔV_{trim}	$R_P = 10k\Omega$	+3	±3.3	—	±3	±3.3	—	%
Output Voltage Noise	e_{np-p}	0.1Hz to 10Hz (Note 5)	—	20	30	—	20	30	μV_{p-p}
Long-Term Stability		(Note 5)	—	—	50	—	—	50	ppm/1000 Hrs
Line Regulation (Note 4)		$V_{IN} = 13V$ to 33V	—	0.006	0.010	—	0.006	0.010	%/V
Load Regulation (Note 4)		$I_L = 0$ to 10mA	—	0.005	0.08	—	0.006	0.010	%/mA
Turn-On Settling Time	t_{on}	To ±0.1% of final value	—	5	—	—	5	—	$\mu sec.$
Quiescent Supply Current	I_{SY}	No Load	—	1.0	1.4	—	1.0	1.4	mA
Load Current	I_L		10	21	—	10	21	—	mA
Sink Current	I_S	(Note 6)	-0.3	-0.5	—	-0.3	-0.5	—	mA
Short-Circuit Current	I_{SC}	$V_O = 0$	15	30	60	15	30	60	mA

ELECTRICAL CHARACTERISTICS at $V_{IN} = +15V$, $-55^\circ C \leq T_A \leq +125^\circ C$ and $I_L = 0$, unless otherwise noted.

PARAMETER	SYMBOL	CONDITIONS	REF-10A			REF-10B			UNITS
			MIN	TYP	MAX	MIN	TYP	MAX	
Output Voltage Change with Temperature (Notes 1 & 2)	ΔV_{OT}	$-55^\circ C \leq T_A \leq +125^\circ C$	—	0.06	0.15	—	0.18	0.45	%
Output Voltage Temperature Coefficient	TCV_O	(Note 3)	—	3	8.5	—	10	25	ppm/°C
Change in V_O Temperature Coefficient with Output Adjustment		$R_P = 10k\Omega$	—	0.7	—	—	0.7	—	ppm/%
Line Regulation ($V_{IN} = 13V$ to 33V) (Note 4)		$-55^\circ C \leq T_A \leq +125^\circ C$	—	0.009	0.015	—	0.009	0.015	%/V
Load Regulation ($I_L = 0$ to 8mA) (Note 4)		$-55^\circ C \leq T_A \leq +125^\circ C$	—	0.007	0.012	—	0.009	0.015	%/mA
Quiescent Supply Current	I_{SY}	No Load	—	1.6	2.0	—	1.6	2.0	mA

NOTES:

- ΔV_{OT} is defined as the absolute difference between the maximum output voltage and the minimum output voltage over the specified temperature range expressed as a percentage of 10V.

$$\Delta V_{OT} = \left| \frac{V_{MAX} - V_{MIN}}{10V} \right| \times 100$$

- ΔV_{OT} specification applied trimmed to +10.000V or untrimmed.
- TCV_O is defined as ΔV_{OT} divided by the temperature range, i.e.,

$$TCV_O (-55^\circ C \text{ to } +125^\circ C) = \frac{\Delta V_{OT} (-55^\circ C \text{ to } +125^\circ C)}{180^\circ C}$$

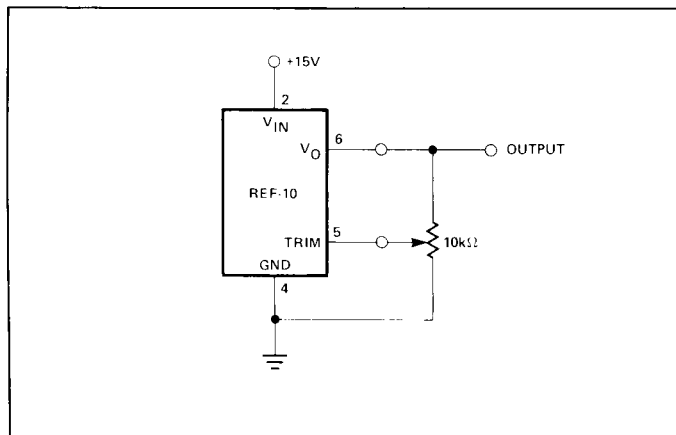
- Line and Load Regulation specifications include the effect of self heating.
- Sample tested. Long-term stability is tested with power applied continuously.
- During sink current test the device meets the output voltage specified.

OUTPUT ADJUSTMENT

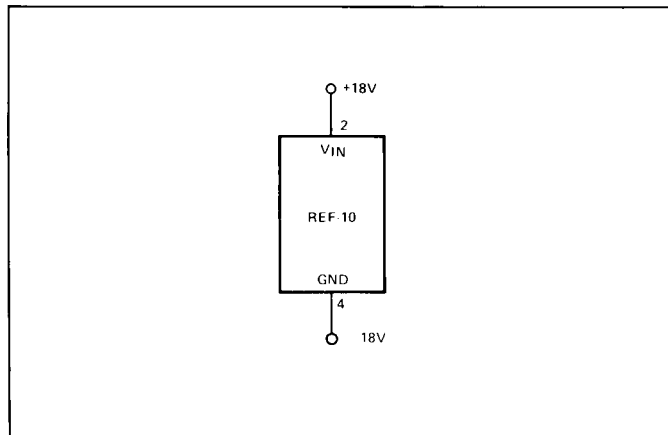
The REF-10 trim terminal can be used to adjust the output voltage over a $10V \pm 300mV$ range. This feature allows the system designer to trim system errors by setting the reference to a voltage other than 10V. Of course, the output can also be set to exactly 10.000V.

Adjustment of the output does not significantly affect the temperature performance of the device. Typically, the temperature coefficient change is $0.7ppm/^{\circ}C$ per 100mV of output adjustment.

OUTPUT ADJUSTMENT CIRCUIT

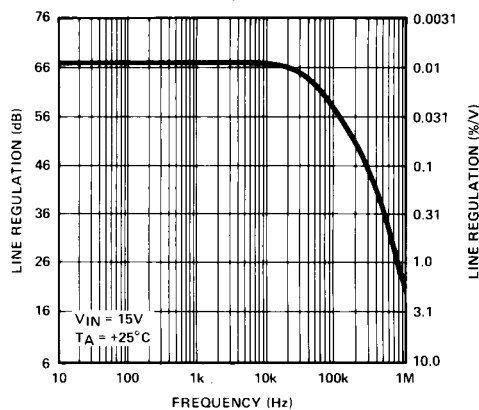


BURN-IN CIRCUIT

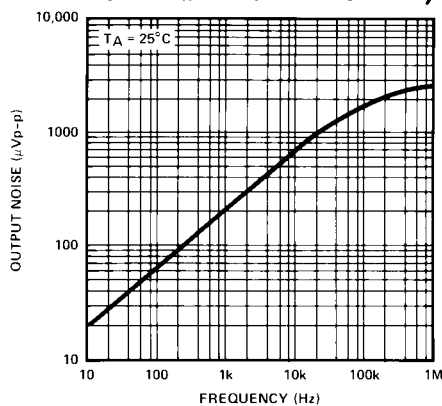


TYPICAL PERFORMANCE CHARACTERISTICS

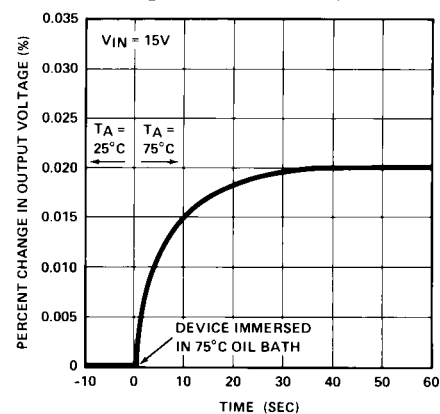
LINE REGULATION vs FREQUENCY



OUTPUT WIDEBAND NOISE vs BANDWIDTH (0.1Hz TO FREQUENCY INDICATED)

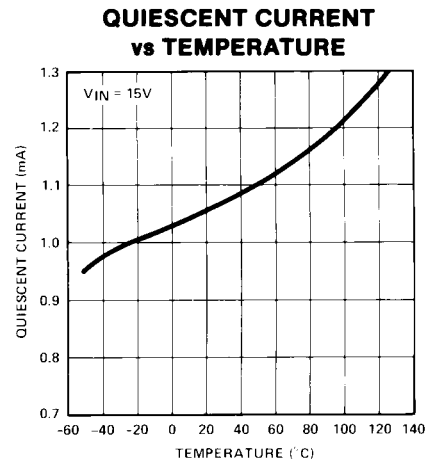
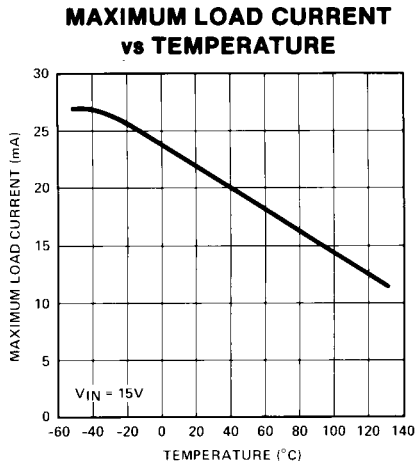
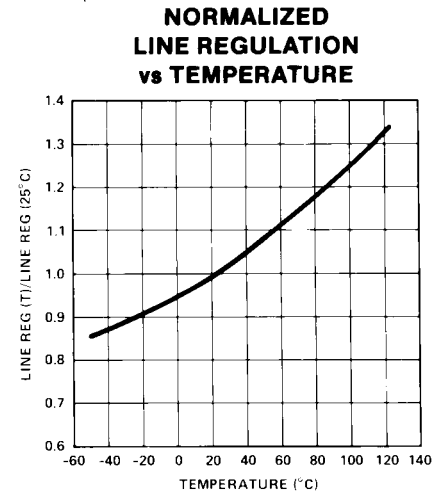
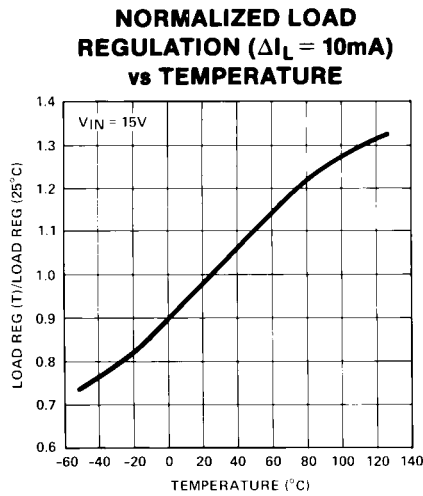
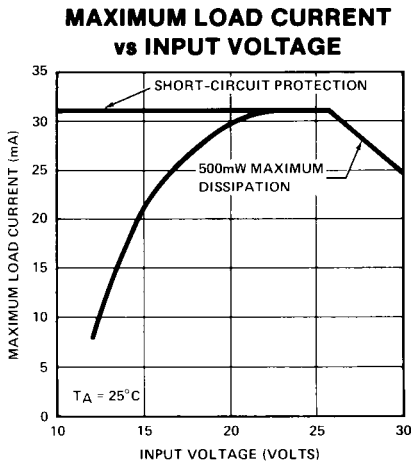


OUTPUT CHANGE DUE TO THERMAL SHOCK



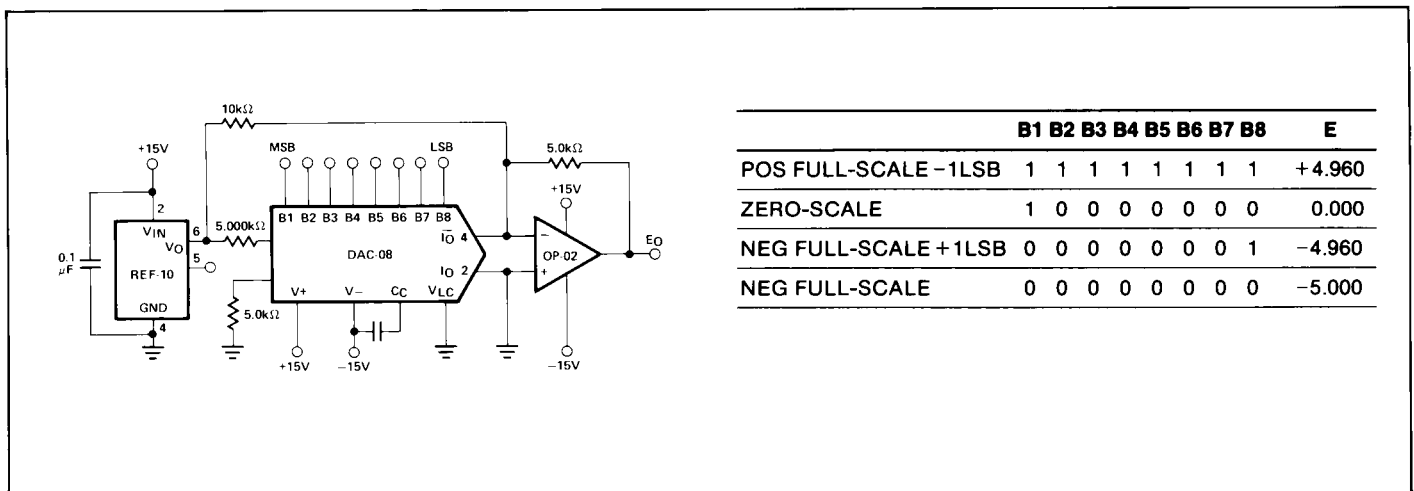
REF-10

TYPICAL PERFORMANCE CHARACTERISTICS



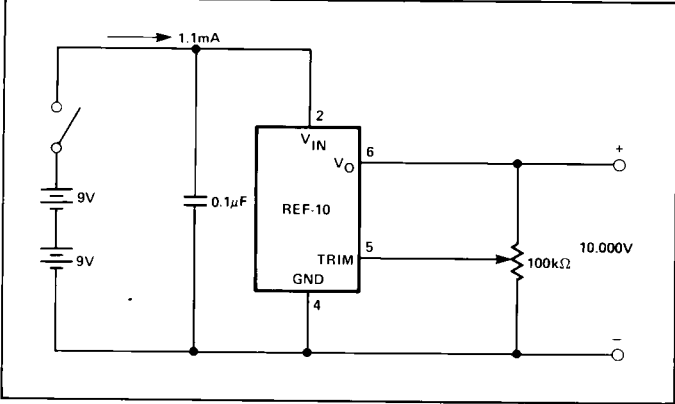
TYPICAL APPLICATIONS

D/A CONVERTER REFERENCE

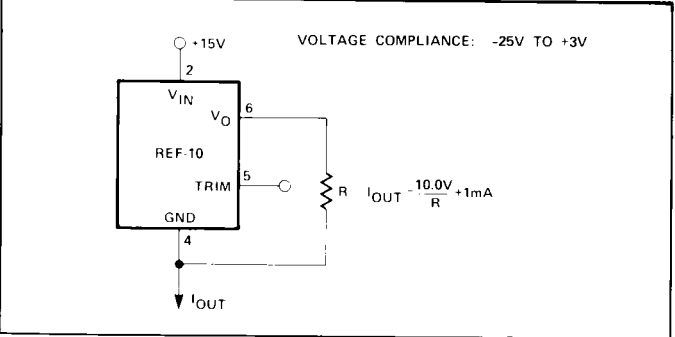


TYPICAL APPLICATIONS

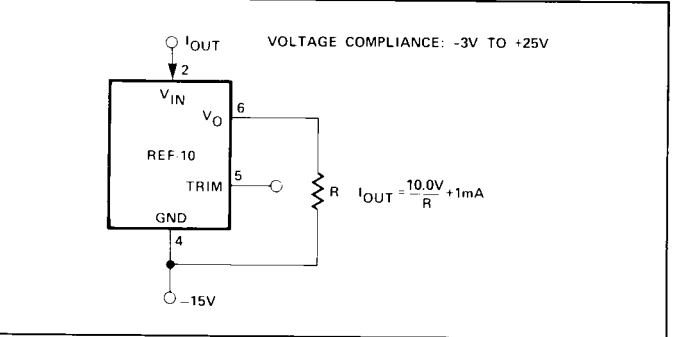
PRECISION CALIBRATION STANDARD



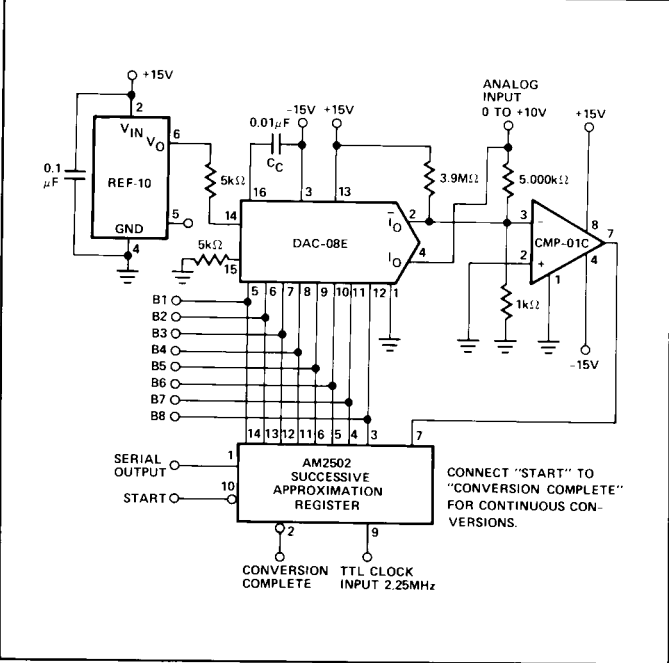
CURRENT SOURCE



CURRENT SINK



A/D CONVERTER REFERENCE



±10V REFERENCE

